



TAURUS

BIG DIMENSIONS PANEL PC AND MONITOR FOR INDUSTRIAL AND FOOD & BEVERAGE APPLICATIONS

FEATURES:

- » 32" - 43" - 55" DISPLAY
- » IP65
- » TOUCHSCREEN PCAP (Optional)
- » 2500 CD/M²
- » 100 - 240 VAC
- » 6mm frontal glass



CUSTOM CONFIGURATION

The Taurus line Industrial Panel PCs and Monitors are designed for applications in extreme industrial environments (food & beverage, chemical, pharmaceutical sectors, etc.). Their design complies with IP65 standards and protects the entire system from damage caused by external factors such as water and dust. The solid and resistant structure, therefore, allows use in outdoor environments (intense light conditions or heavy rain), dusty or humid work spaces (food factories) and other more extreme applications (steel mills, processing stations and boats, etc.).

SUNLIGHT READABLE

The high brightness displays (1000 nits) with anti-reflective technology, allow the image to be readable even when exposed to intense sunlight.





TAURUS

BIG DIMENSIONS PANEL PC AND MONITOR FOR INDUSTRIAL AND FOOD & BEVERAGE APPLICATIONS

TECHNICAL DATA:

	Monitor Version	Integrated Player	Android Version	Windows Version
Display	32" - 43" - 55"; TFT-LCD LED Resolution 1080x1920 - 3840x2160 Typical Brightness 2500 Cd/m ²			
System				
• CPU	-	-	RK3288	J1900 - i5
• Chipset	-	Integrated	Integrated	Integrated
• Memory	-	-	2GB	4GB - 8GB
• Storage	-	16GB	16GB	128GB - 512GB
Connections I/O				
	IP65 1 x POWER SUPPLY 1 x HDMI 1 x DVI	IP65 1 x POWER SUPPLY 1 x LAN 1 x WiFi	IP65 1 x POWER SUPPLY 1 x LAN 1 x USB2.0	IP65 1 x POWER SUPPLY 1 x LAN 1 x USB2.0
Wireless lan	OPTIONAL			
Touchscreen	PCAP			
Power Supply	100 - 240 VAC			
Work environment				
• T. Operation	0°C ~ 50°C			
• T. Storage	-20 - + 60 ° C			
• Range operating extended	Optional			
• Relative humidity	10% - 80% RH			
IP Protection	IP65			
Certification	CE, ROHS			
Operating system	-	-	Android 11	Windows® 10/11 IOT
Aspect	AISI 304			

NOTES: Any updates may cause revisions to this datasheet, the manufacturer reserves the right to modify it in whole or in part.

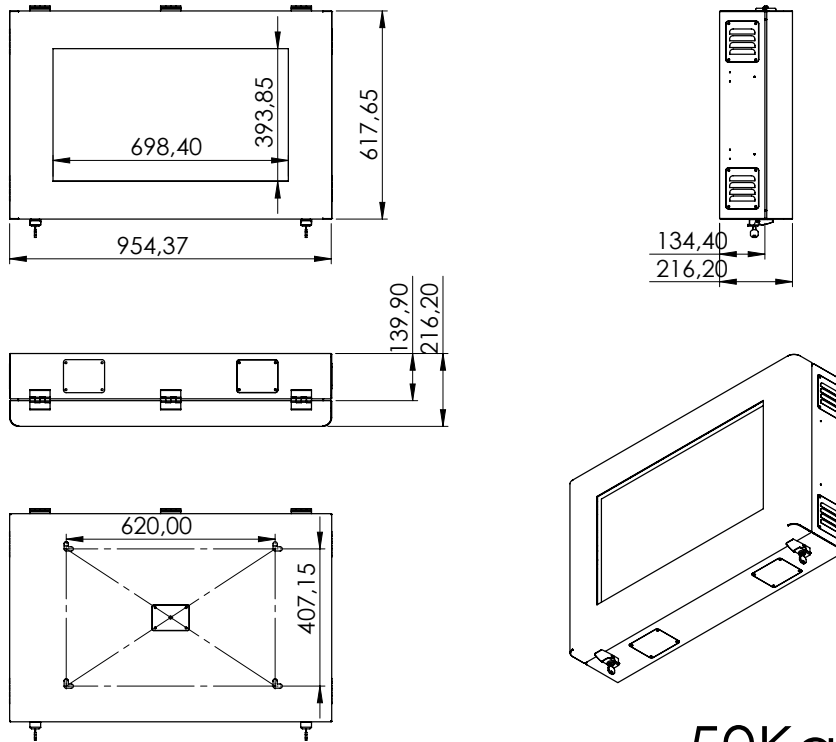




TAURUS

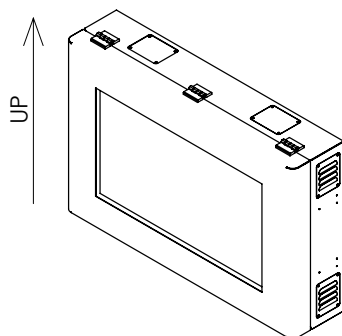
BIG DIMENSIONS PANEL PC AND MONITOR FOR INDUSTRIAL AND FOOD & BEVERAGE APPLICATIONS

DIMENSIONS: 32"

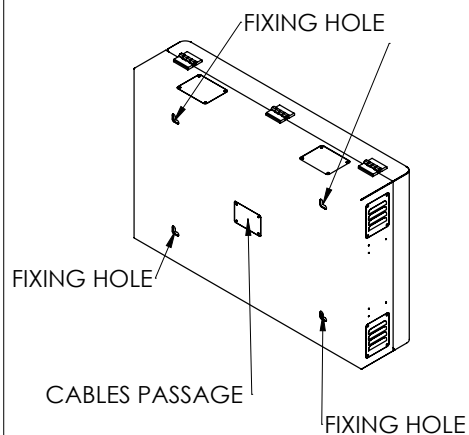


50Kg

FRONT VIEW



REAR VIEW



NOTES: These are simplified drawings because some components are not detailed, for more information contact the manufacturer.

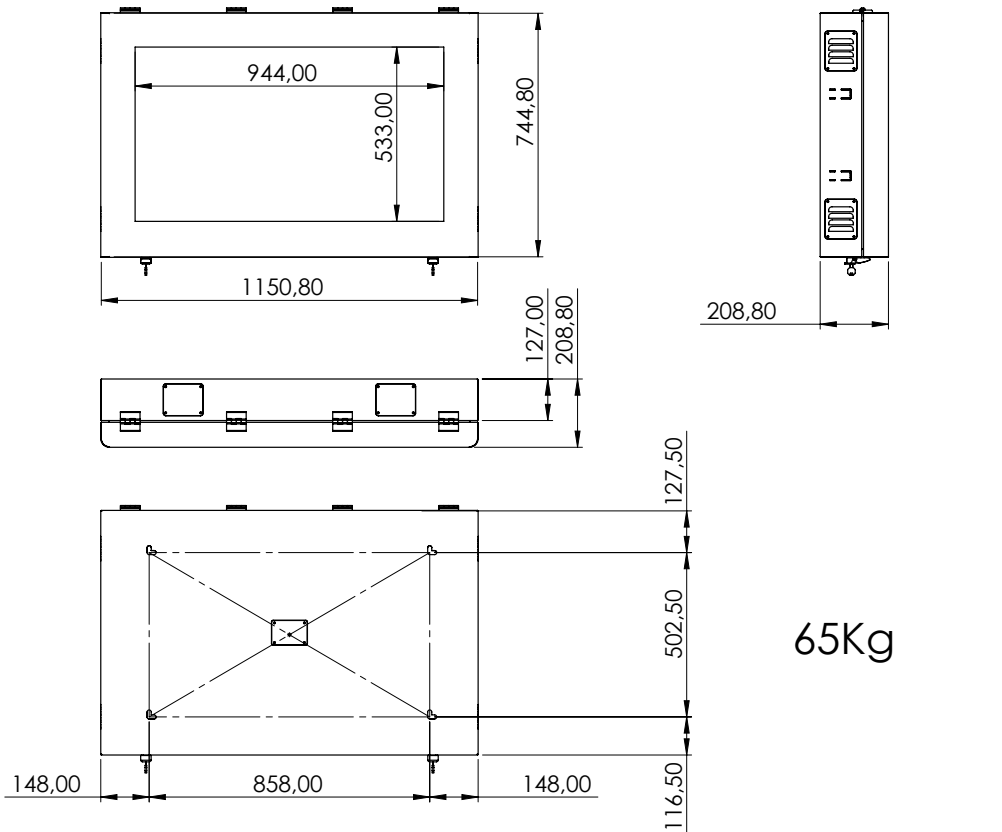




TAURUS

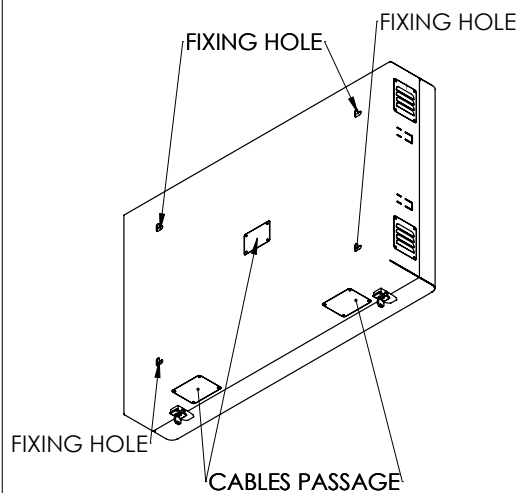
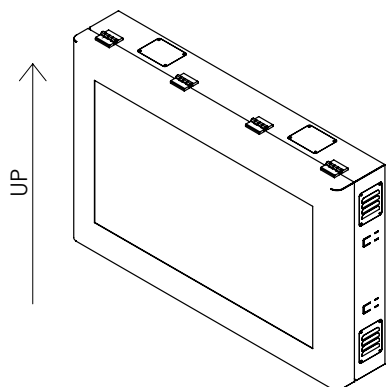
BIG DIMENSIONS PANEL PC AND MONITOR FOR INDUSTRIAL AND FOOD & BEVERAGE APPLICATIONS

DIMENSIONS: 43"



FRONT VIEW

REAR VIEW



NOTES: These are simplified drawings because some components are not detailed, for more information contact the manufacturer.

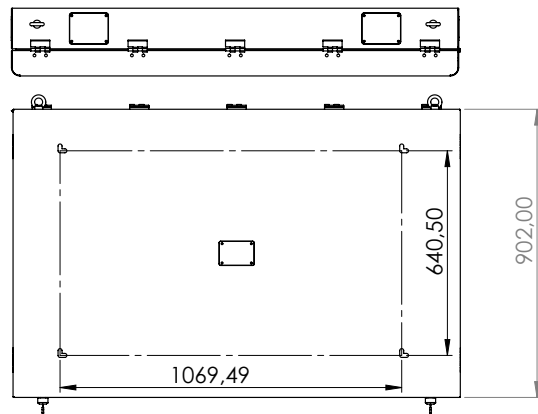
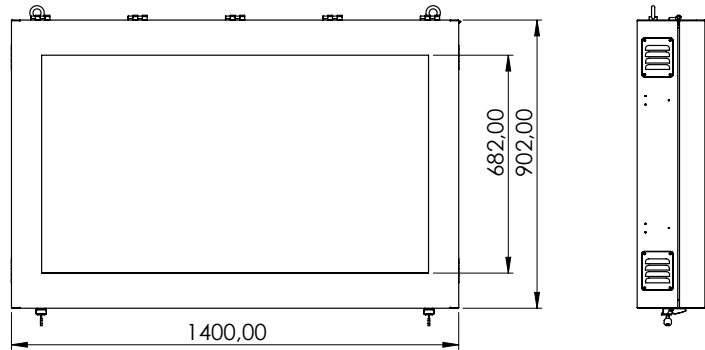




TAURUS

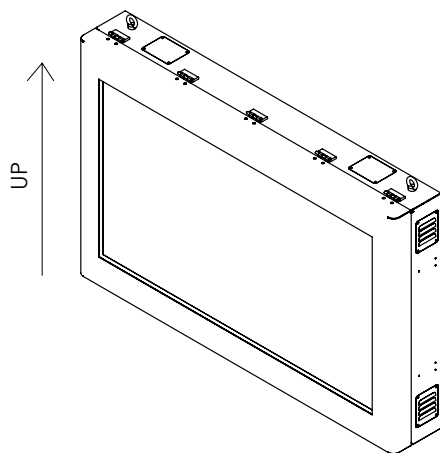
BIG DIMENSIONS PANEL PC AND MONITOR FOR INDUSTRIAL AND FOOD & BEVERAGE APPLICATIONS

DIMENSIONS: 55"

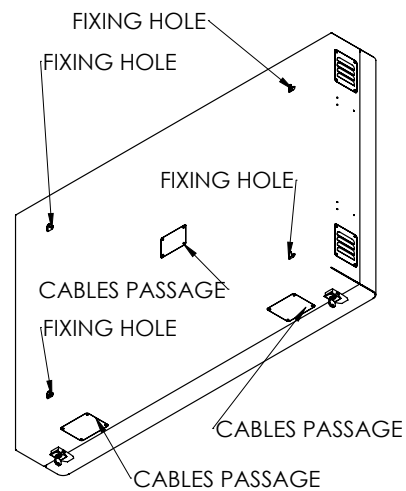


95Kg

FRONT VIEW



REAR VIEW



NOTES: These are simplified drawings because some components are not detailed, for more information contact the manufacturer.

