



DOUBLE SIDED WINDOW DISPLAY

32" 43" 55"

FEATURES:

- » SIMULTANEOUS OR DUAL SCREEN DIFFERENTIAL DISPLAY
- » 16.7M COLOR,
- » HIGH BRIGHTNESS 350 - 700 CD / M2
- » REMOTE CONTROL
- » ULTRA THIN AND ULTRA LIGHT DESIGN





DIGITAL
SIGNAGE

DOUBLE SIDED WINDOW DISPLAY

32" 43" 55"

TECHNICAL DATA:

	32"	43"	55"
• Resolution	1920x1080	1920x1080 (941.2x529.4mm)	1920x1080
• Display ratio		16:9	
• Backlight Type		LED	
• Backlight duration		60.000 hours	
• Display color		16.7M	
• Brightness		350/700cd/m2 (Optional)	
• Contrast Ratio		3000:1	
• Viewing Angle		175°(H) / 175°(V)	
• Response time		6ms	
• Color system		PAL/NTSC/SECAM	
• Lifespan		60.000 hours	
Power			
• Power Voltage		AC100V/240V	
• Power consumption		≤150W	
• Standby consumption		≤3W	
Working environment			
• Operating temperature		0°C ~ 40 °C	
• Storage temperature		-20°C ~ 60°C	
• Working humidity		10% ~ 90%	
• Storage humidity		10% ~ 90%	
Others			
• Installation method		Hanging	
• Material		Sheet Metal	
• Appearance color		White	
• Certification		CE,RoHS, FCC, ISO9001,3C etc.	
Details			
• CPU		RK3288, Cortex-A17 architecture, quad-core 1.8G	
• RAM		DDR3 2G	
• ROM		emmc FLASH 16G	
• Memory extension		TF Card extension with the highest support for 32GB	
• Bluetooth		Built-in BT2.0 (Optional)	
• Time switch		Support	
• Interfaces		Support MP3, WMA, MP2, OGG, AAC, M4A, FLAC, APE, 3GP, WAV Format audio playback, supporting the song list function	

NOTES: Any updates may cause revisions to this datasheet, the manufacturer reserves the right to modify it in whole or in part.



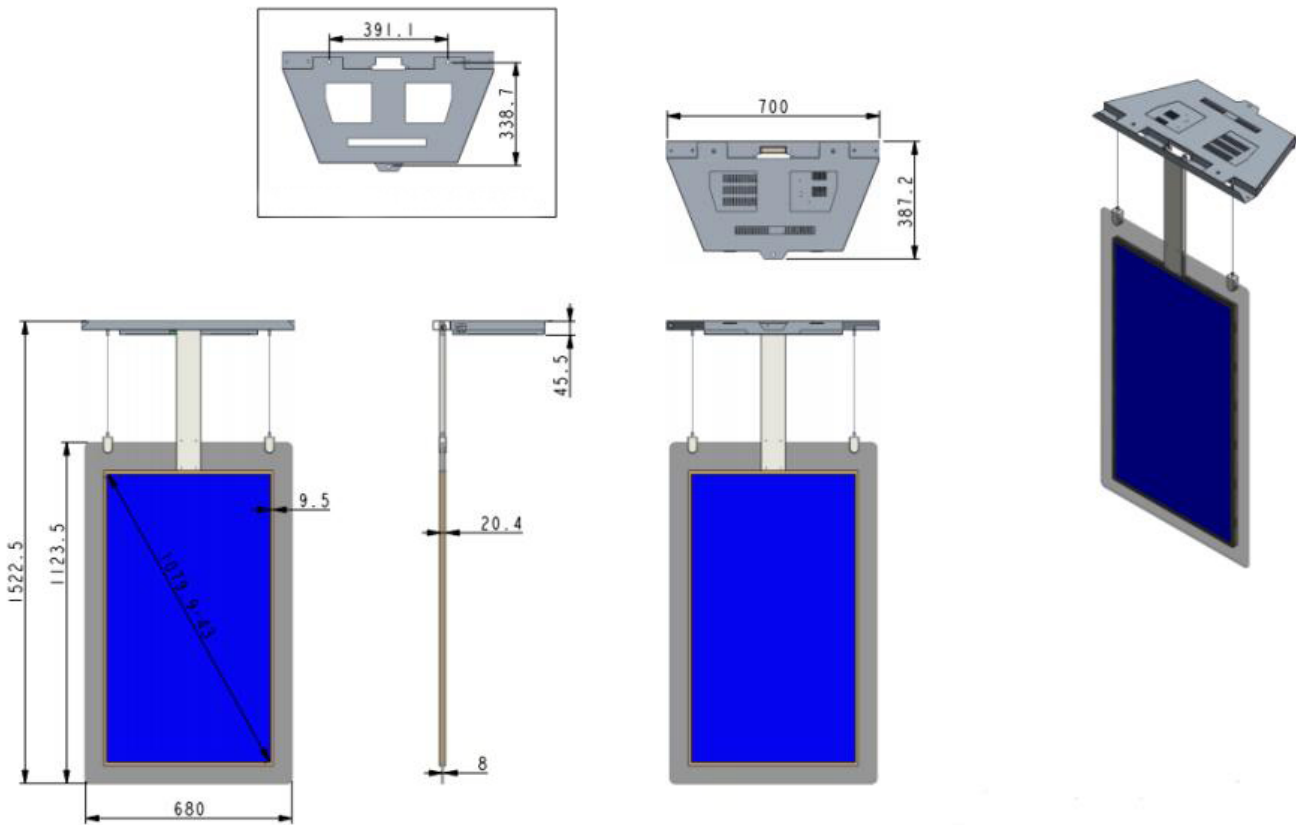


DIGITAL
SIGNAGE

DOUBLE SIDED WINDOW DISPLAY

32" 43" 55"

DIMENSIONS: 43" Portrait



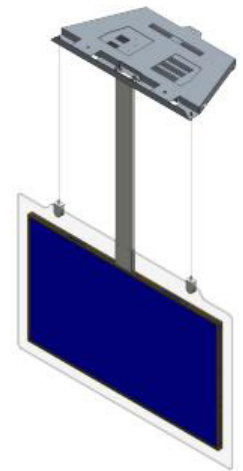
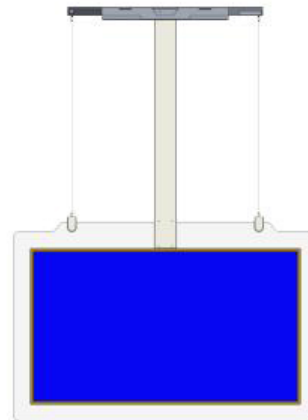
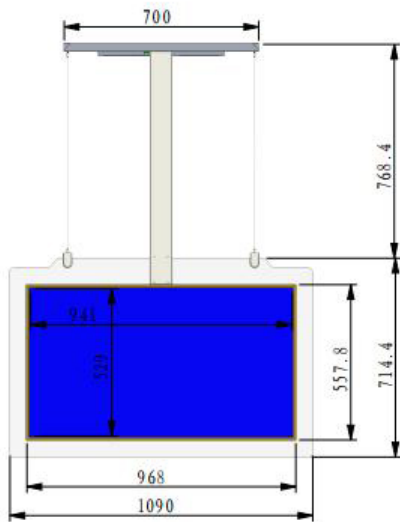
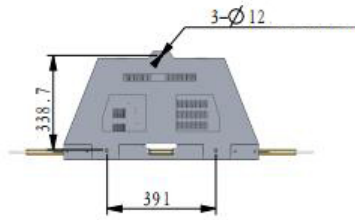


DIGITAL
SIGNAGE

DOUBLE SIDED WINDOW DISPLAY

32" 43" 55"

DIMENSIONS: 43" Landscape

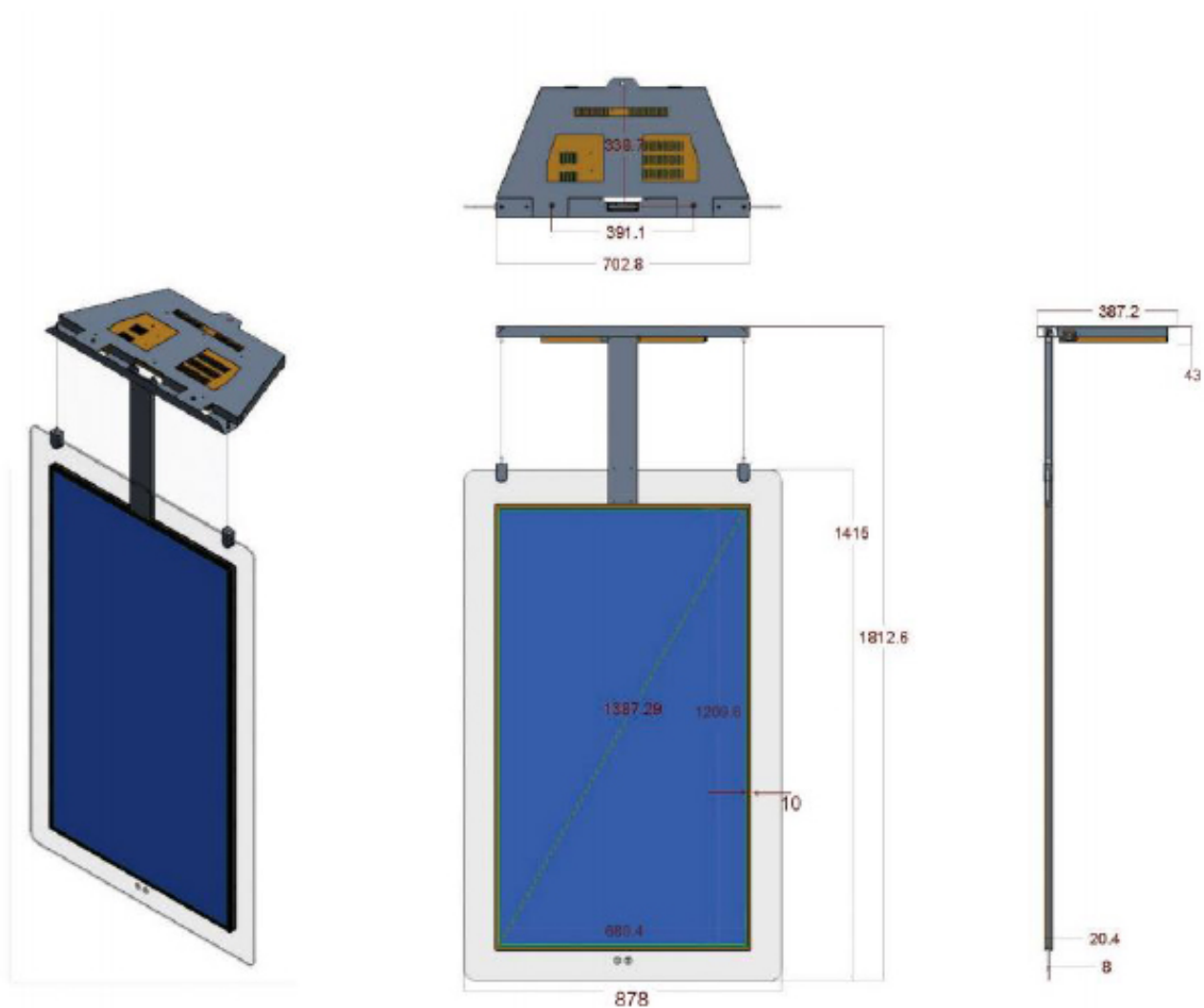




DOUBLE SIDED WINDOW DISPLAY

32" 43" 55"

DIMENSIONS: 55" Portrait





DOUBLE SIDED WINDOW DISPLAY

32" 43" 55"

DIMENSIONS: 55" Landscape

