



LIZARD

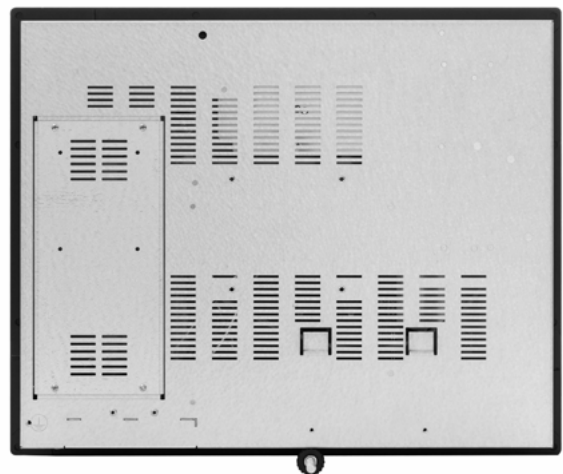
19" PANEL PC AND MONITOR FOR INDUSTRIAL APPLICATIONS

FEATURES:

- » DISPLAY 19"
- » PANEL MOUNT VERSION



AVAILABLE IN RAL 9005 VERSION



CUSTOM CONFIGURATION

The Lizard Line is created with the hardware platform configured on the actual need of the customer. Our panel mount industrial monitors are designed specifically for industrial use and in particular to be integrated into professional housing systems. All devices are made with high quality components and materials. Panel mount products allow customization on customer request to meet different needs.

SUNLIGHT READABLE

The screen is legible even when exposed to intense sunlight, thanks to its high brightness 1000 nits panel with anti-reflective technology.





LIZARD

19" PANEL PC AND MONITOR FOR INDUSTRIAL APPLICATIONS

TECHNICAL DATA:

	Monitor Version	Panel Pc Version		
Display	19", TFT-LCD LED Resolution 1280 x 1024 Typical Brightness 350cd/m ²			
System				
• CPU	—	J1900	J4125	i5 6360U
• Chipset	—	Integrated	Integrated	Integrated
• Memory	—	DDR 3 max 8GB	DDR 4 max 8GB	DDR 3 max 16GB
• BIOS	—	A.M.T. Bios	A.M.T. Bios	A.M.T. Bios
• Storage	—	128GB - 256GB - 512GB SSD / MSata	128GB - 256GB - 512GB SSD / MSata	128GB - 256GB - 512GB SSD / MSata
Connections I/O				
	1x VGA 1x DVI	2 x RTL8111H Gigabit LAN wake on LAN/ PXE function 1 x USB3.0 3 x USB2.0	2 x RTL8111H Gigabit LAN wake on LAN/ PXE function 1 x USB3.0 3 x USB2.0	2x RTL WGI211AT GigabitLAN wake on LAN/ PXE function 2 x USB3.0 2 x USB2.0
	1x VGA 1x D-POR 1X HDMI	3 x RS232 1 x RS422-485 (Optional) 1 x VGA 1 x HDMI	3 x RS232 1 x RS422-485 (Optional) 1 x VGA 1 x HDMI	2 x RS232 (Max) 1 x RS422-485 (Optional) 1 x VGA 1 x HDMI
	1X USB (Touch) 1XRS232 (Touch)	1 x AUDIO 1 x LPT (Optional) Wifi	1 x AUDIO 1 x LPT (Optional) Wifi	1 x AUDIO 1 x LPT (Optional) Wifi
Expansions	—	1 x Mini PCI-E (Internal) 1 x Mini PCI-M-SATA (internal)	1 x Mini PCI-E (Internal) 1 x Mini PCI-M-SATA (internal)	1 x Mini PCI-E (Internal) 1 x Mini PCI-M-SATA (internal)
Touchscreen	RESISTIVE - GFG			
Power Supply	12VDC (standard) / 24VDC (Optional) / External power supply AC 100~240 VAC (Standard)			
Work Environment				
• Temperature environment	Operation Storage	from 0 to +50° C from -20 to +60° C		
• Range operating extended		from -20 to +60° C (Optional)		
• Relative humidity	Operation Storage	10% ~ 95% @ 40° C, non-condensing 5% ~ 95%		
• Vibration	Operation Storage	2 - 9 Hz: amplitude 3 mm / 9 - 200 Hz: 1G 2 - 8 Hz: amplitude 7,5 mm / 8 - 200 Hz: 2G / 200 - 500 Hz: 4G		
IP Protection	Front IP65			
Certification	CE, ROHS			
Operating system	Windows® 7 PRO / Windows® 7 WEC / Windows® 10 IOT (LTSP - LTSC - SAC) / Windows® 11 IOT Enterprise (CBB) / Linux			

NOTES: Any updates may cause revisions to this datasheet, the manufacturer reserves the right to modify it in whole or in part.

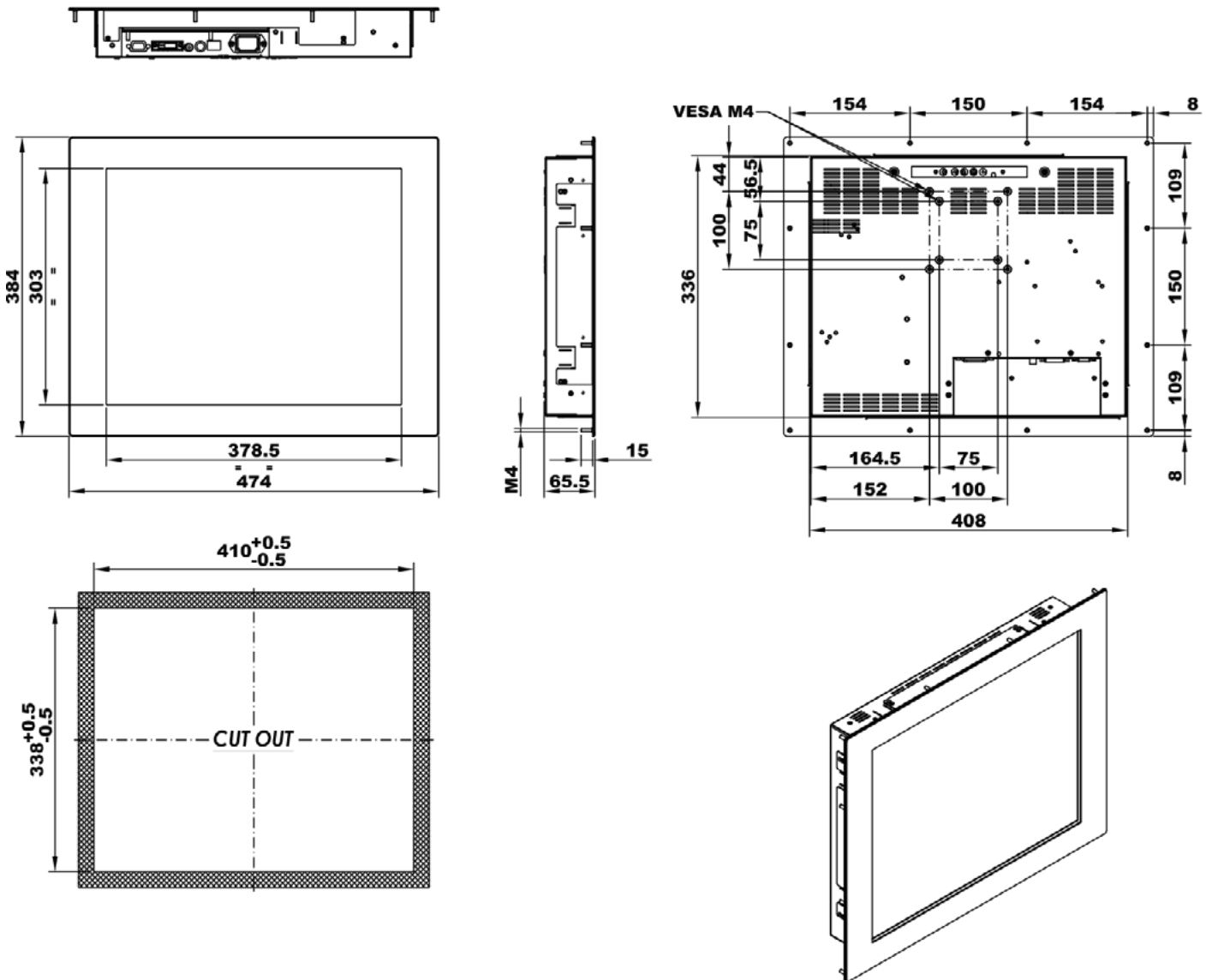




LIZARD

19" PANEL PC AND MONITOR FOR INDUSTRIAL APPLICATIONS

DIMENSIONS: Monitor version



WEIGHT: 6.4 KG

NOTES: These are simplified drawings because some components are not detailed, for more information contact the manufacturer.

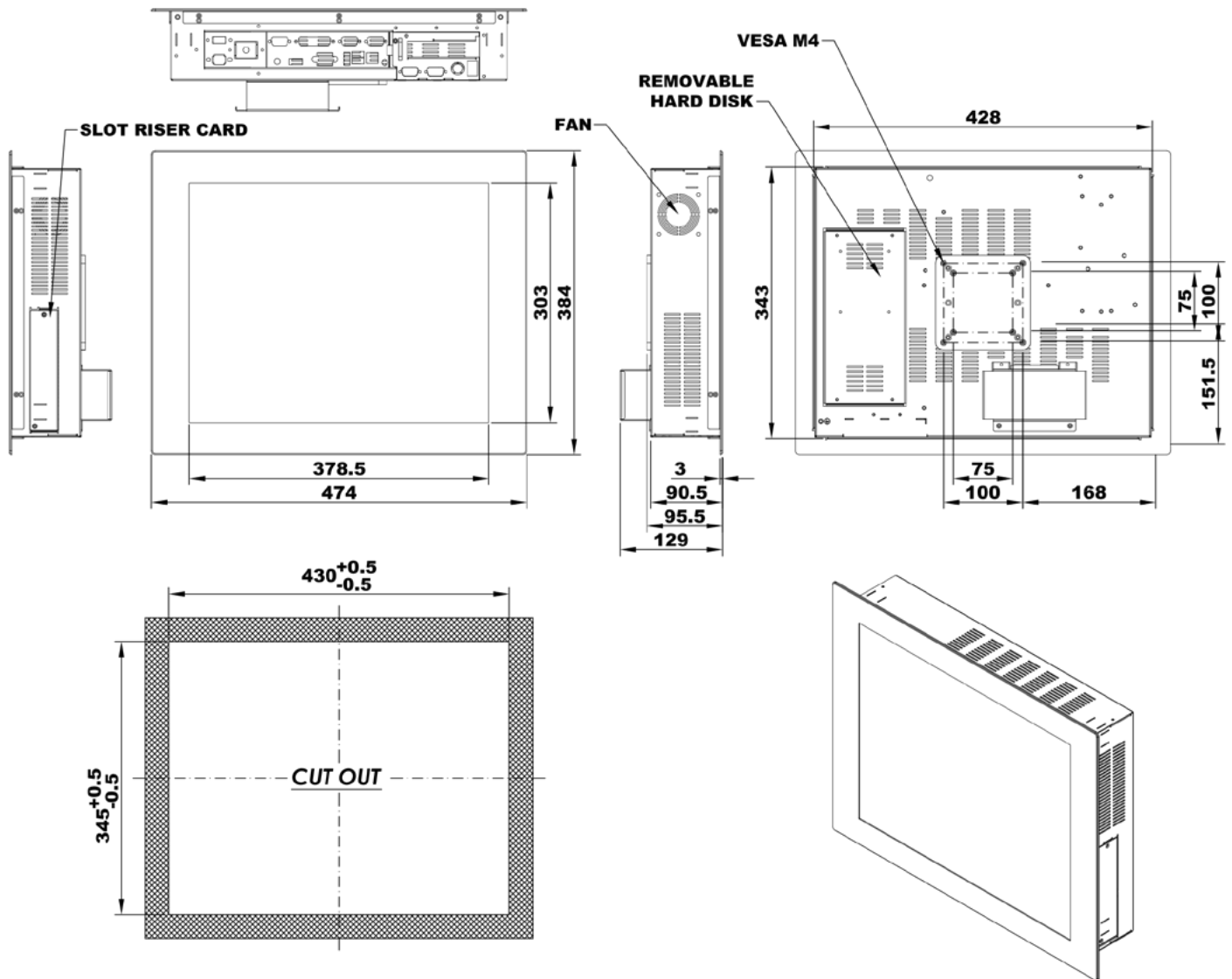




LIZARD

19" PANEL PC AND MONITOR FOR INDUSTRIAL APPLICATIONS

DIMENSIONS: Pc version



WEIGHT: 8 KG

NOTES: These are simplified drawings because some components are not detailed, for more information contact the manufacturer.

