



LIZARD

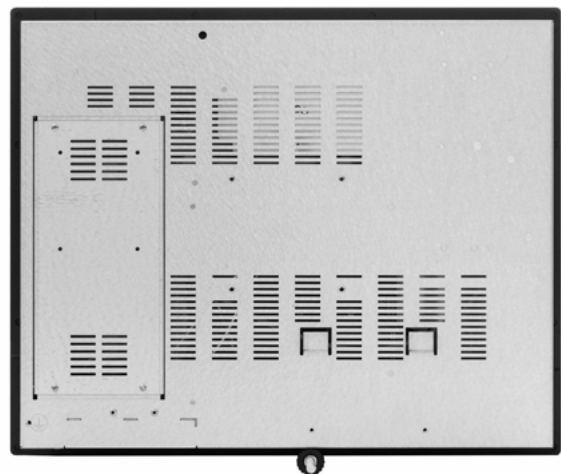
# 10" PANEL PC AND MONITOR FOR INDUSTRIAL APPLICATIONS

## FEATURES:

- » DISPLAY 10"
- » PANEL MOUNT VERSION



AVAILABLE IN RAL 9005 VERSION



## CUSTOM CONFIGURATION

The Lizard Line is created with the hardware platform configured on the actual need of the customer. Our panel mount industrial monitors are designed specifically for industrial use and in particular to be integrated into professional housing systems. All devices are made with high quality components and materials. Panel mount products allow customization on customer request to meet different needs.

## SUNLIGHT READABLE

The screen is legible even when exposed to intense sunlight, thanks to its high brightness 1000 nits panel with anti-reflective technology.





# LIZARD

## 10" PANEL PC AND MONITOR FOR INDUSTRIAL APPLICATIONS

### TECHNICAL DATA:

	Monitor Version	Panel Pc Version		
<b>Display</b>	10,4", TFT-LCD LED Resolution 800 x 600 Typical Brightness 300 cd/m <sup>2</sup>			
<b>System</b>				
• CPU	—	J1900	J4125	i5 6360U
• Chipset	—	Integrated	Integrated	Integrated
• Memory	—	DDR 3 max 8GB	DDR 4 max 8GB	DDR 3 max 16GB
• BIOS	—	A.M.T. Bios	A.M.T. Bios	A.M.T. Bios
• Storage	—	128GB - 256GB - 512GB SSD / MSata	128GB - 256GB - 512GB SSD / MSata	128GB - 256GB - 512GB SSD / MSata
<b>Connections I/O</b>				
	1x VGA 1x DVI	2 x RTL8111H Gigabit LAN wake on LAN/ PXE function 1 x USB3.0 3 x USB2.0	2 x RTL8111H Gigabit LAN wake on LAN/ PXE function 1 x USB3.0 3 x USB2.0	2x RTL WGI211AT GigabitLAN wake on LAN/ PXE function 2 x USB3.0 2 x USB2.0
	1x VGA 1x D-POR 1X HDMI	3 x RS232 1 x RS422-485 (Optional)	3 x RS232 1 x RS422-485 (Optional)	2 x RS232 (Max) 1 x RS422-485 (Optional)
	1X USB (Touch) 1XRS232 (Touch)	1 x VGA 1 x HDMI 1 x AUDIO 1 x LPT (Optional) Wifi	1 x VGA 1 x HDMI 1 x AUDIO 1 x LPT (Optional) Wifi	1 x VGA 1 x HDMI 1 x AUDIO 1 x LPT (Optional) Wifi
<b>Expansions</b>	—	1 x Mini PCI-E (Internal) 1 x Mini PCI-M-SATA (internal)	1 x Mini PCI-E (Internal) 1 x Mini PCI-M-SATA (internal)	1 x Mini PCI-E (Internal) 1 x Mini PCI-M-SATA (internal)
<b>Touchscreen</b>	RESISTIVE - GFG			
<b>Power Supply</b>	12VDC (standard) / 24VDC (Optional) / External power supply AC 100~240 VAC (Standard)			
<b>Work Environment</b>				
• Temperature environment	Operation Storage	from 0 to +50° C from -20 to +60° C		
• Range operating extended		from -20 to +60° C (Optional)		
• Relative humidity	Operation Storage	10% ~ 95% @ 40° C, non-condensing 5% ~ 95%		
• Vibration	Operation Storage	2 - 9 Hz: amplitude 3 mm / 9 - 200 Hz: 1G 2 - 8 Hz: amplitude 7,5 mm / 8 - 200 Hz: 2G / 200 - 500 Hz: 4G		
<b>IP Protection</b>	Front IP65			
<b>Certification</b>	CE, ROHS			
<b>Operating system</b>	Windows® 7 PRO / Windows® 7 WEC / Windows® 10 IOT (LTSB - LTSC - SAC) / Windows® 11 IOT Enterprise (CBB) / Linux			

**NOTES:** Any updates may cause revisions to this datasheet, the manufacturer reserves the right to modify it in whole or in part.

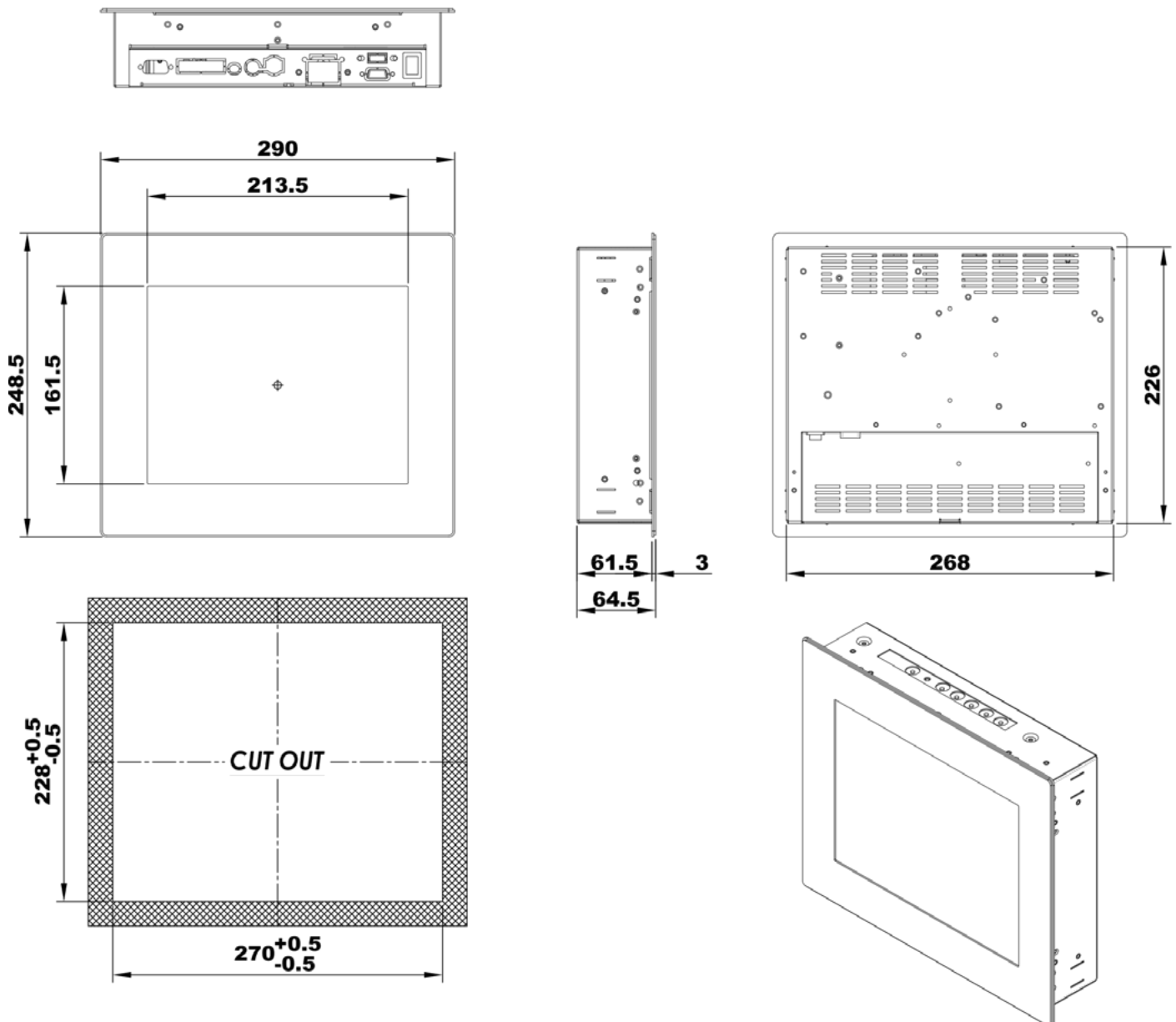




LIZARD

# 10" PANEL PC AND MONITOR FOR INDUSTRIAL APPLICATIONS

## DIMENSIONS: Monitor version



NOTES: These are simplified drawings because some components are not detailed, for more information contact the manufacturer.

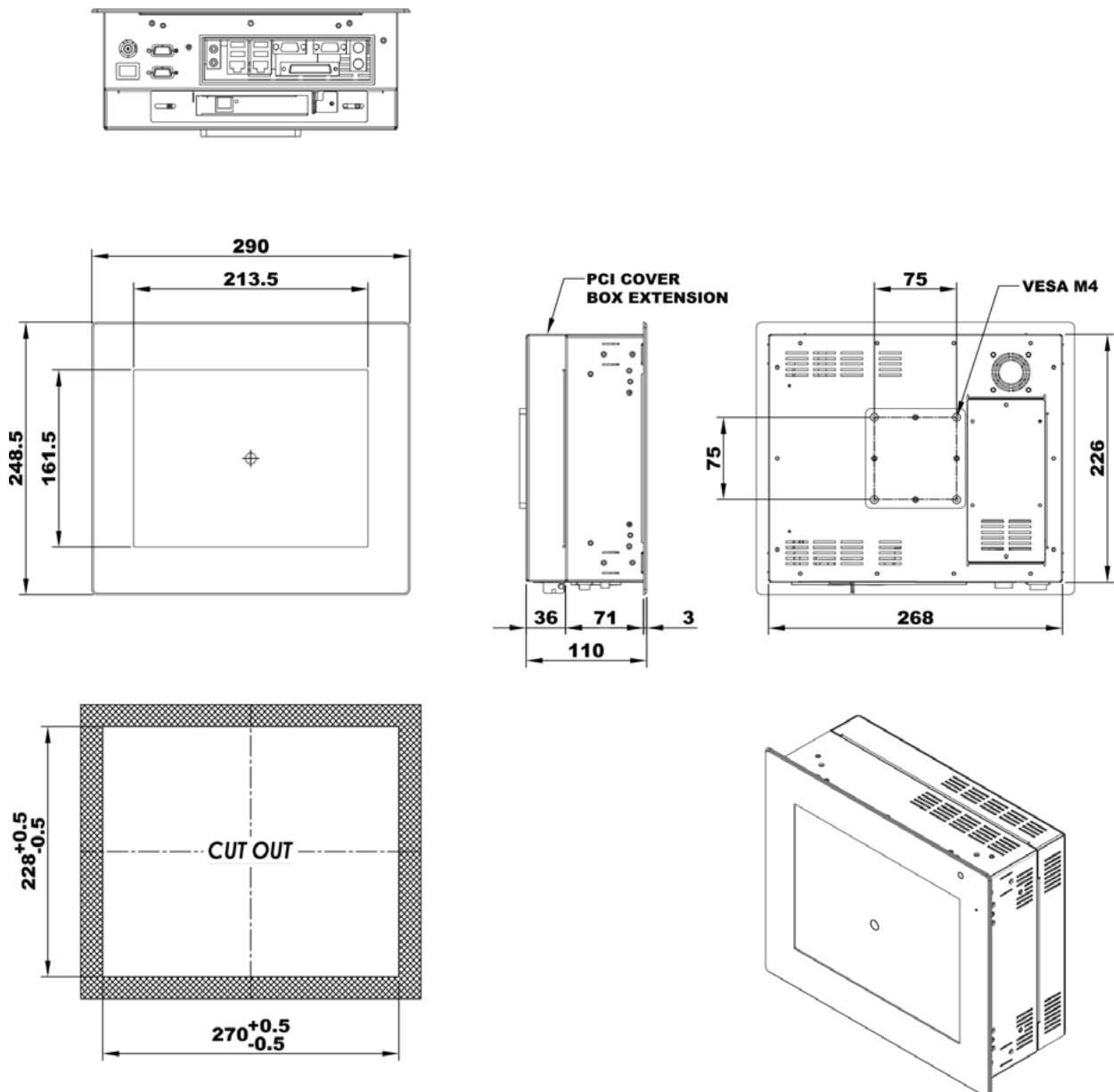




LIZARD

# 10" PANEL PC AND MONITOR FOR INDUSTRIAL APPLICATIONS

## DIMENSIONS: Pc version



NOTES: These are simplified drawings because some components are not detailed, for more information contact the manufacturer.

