

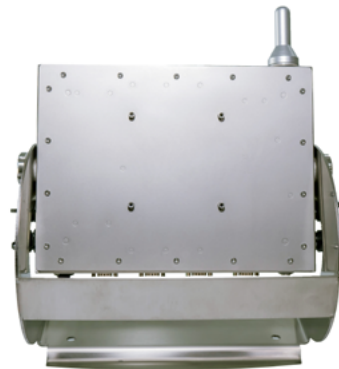
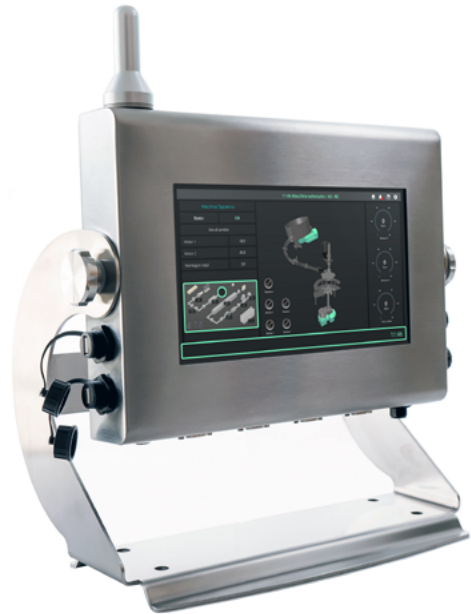


TAURUS

10.1" PANEL PC AND MONITOR IP67 FOR INDUSTRIAL AND FOOD & BEVERAGE APPLICATIONS

FEATURES:

- » DISPLAY 10.1"
- » TOUCH SCREEN RESISTIVE
- » IP67 WATERPROOF AND DUSTPROOF
- » FANLESS SYSTEM
- » INTEL® PROCESSORS
- » EXTENDED TEMPERATURE KIT (-20° +60°)
- » WIFI ANTENNA (OPTIONAL)



CUSTOM CONFIGURATION

The Taurus line Industrial Panel PCs and Monitors are designed for applications in extreme industrial environments (food & beverage, chemical, pharmaceutical sectors, etc.). Their design complies with IP67 standards and protects the entire system from damage caused by external factors such as water and dust. The solid and resistant structure, therefore, allows use in outdoor environments (intense light conditions or heavy rain), dusty or humid work spaces (food factories) and other more extreme applications (steel mills, processing stations and boats, etc.).

IP67 FRONT PROTECTION

Liquid / dust proof hardware and IP67 rated connectors.

SUNLIGHT READABLE

The high brightness displays (1000 nits) with anti-reflective technology, allow the image to be readable even when exposed to intense sunlight.





TAURUS

10.1" PANEL PC AND MONITOR IP67 FOR INDUSTRIAL AND FOOD & BEVERAGE APPLICATIONS

TECHNICAL DATA:

	Monitor Version	Panel Pc Version
Display	10,1", TFT-LCD LED Resolution 1024 x 600 WSVGA Typical Brightness 400 cd/m ²	
System		
• CPU	----	J1900
• Chipset	----	Integrated
• Memory	----	DDR 3 max 8GB
• BIOS	----	A.M.T. Bios
• Storage	----	128GB - 256GB - 512GB SSD / MSata
		J4125 Integrated DDR 4 max 8GB A.M.T. Bios 128GB - 256GB - 512GB SSD / MSata
Connections I/O		
	1 x VGA 1 x DVI 1 x USB for touch (Optional) 1 x RS232 for touch (Optional)	IP67 3 x USB 2.0/1.1 (MAX); 1 x RJ45 (2 x RJ45 Opt.); 3 x RS232/422/485; 1 x RS232/VGA.
		IP67 3 x USB 2.0/1.1 (MAX); 1 x RJ45 (2 x RJ45 Opt.); 3 x RS232/422/485; 1 x RS232/VGA.
Expansions	----	1 x Mini PCI-E (Internal)
Wireless lan	With IP67 external antenna	
Touchscreen	RESISTIVE	
Power Supply	12VDC (standard) / 24VDC (standard) / External power supply AC 100 ~ 240 VAC (Standard)	
Work environment		
• Temperature environment	Operation Storage	from 0 to + 50 ° C -20 to + 60 ° C
• Range operating extended	Optional	from -20 to +60° C
• Relative humidity	Operation Storage	10% ~ 95% @ 40° C, non-condensing 5% ~ 95%
• Vibration	Operation Storage	2 - 9 Hz: 3 mm amplitude / 9 - 200 Hz: 1 g 2 - 8 Hz: amplitude 7.5 mm / 8 - 200 Hz: 2 g / 200 - 500 Hz: 4 g
IP Protection	IP67	
Certification	CE, ROHS	
Operating system	Windows® 7 / Windows® 8.1 / Windows® 10 IOT Enterprise (LTSB, LTSC, SAC) / Windows® 11 IOT Enterprise (CBB)	

NOTES: Any updates may cause revisions to this datasheet, the manufacturer reserves the right to modify it in whole or in part.

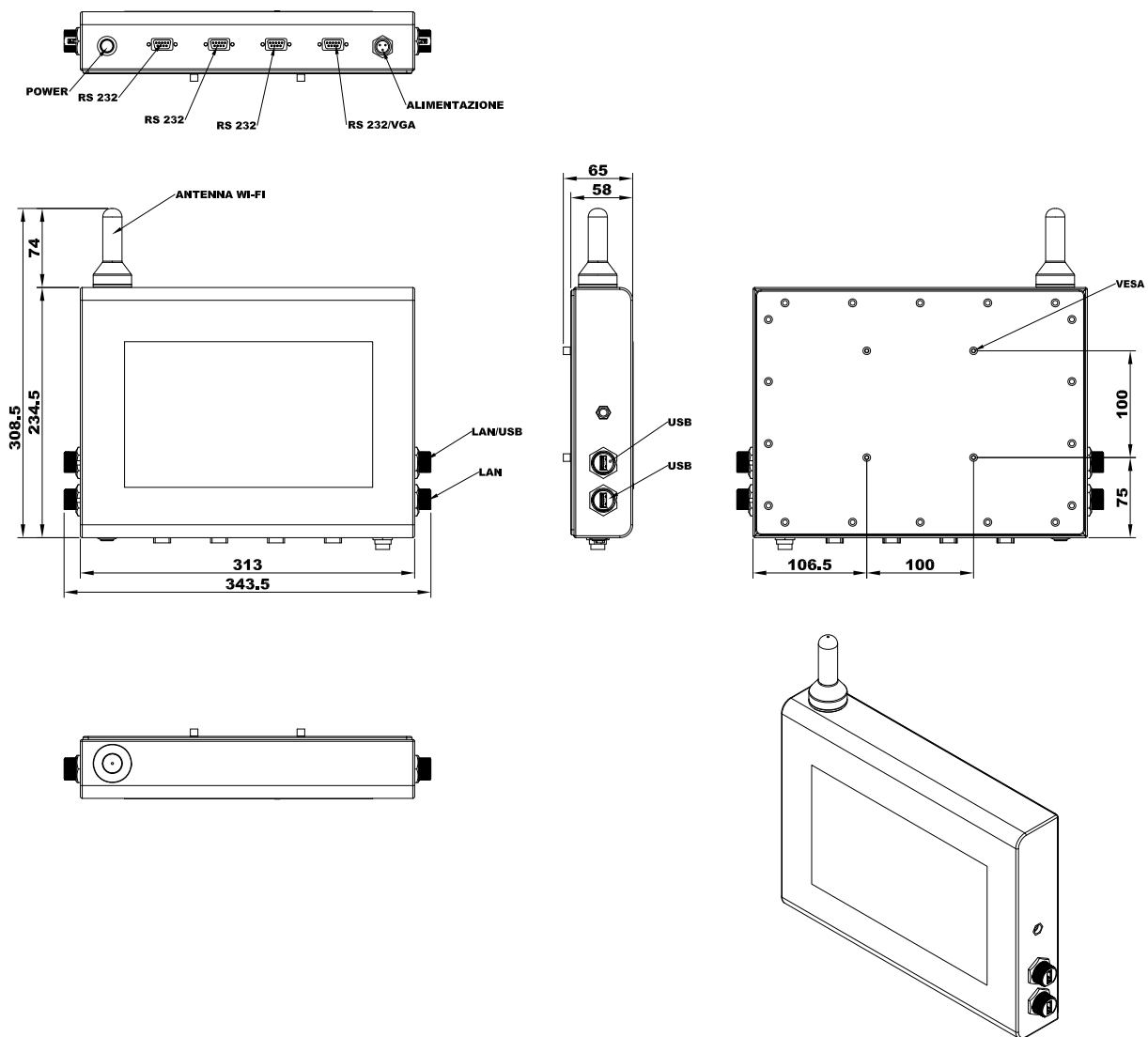




TAURUS

10.1" PANEL PC AND MONITOR IP67 FOR INDUSTRIAL AND FOOD & BEVERAGE APPLICATIONS

DIMENSIONS: IP67 Vesa Pc version



NOTES: These are simplified drawings because some components are not detailed, for more information contact the manufacturer.

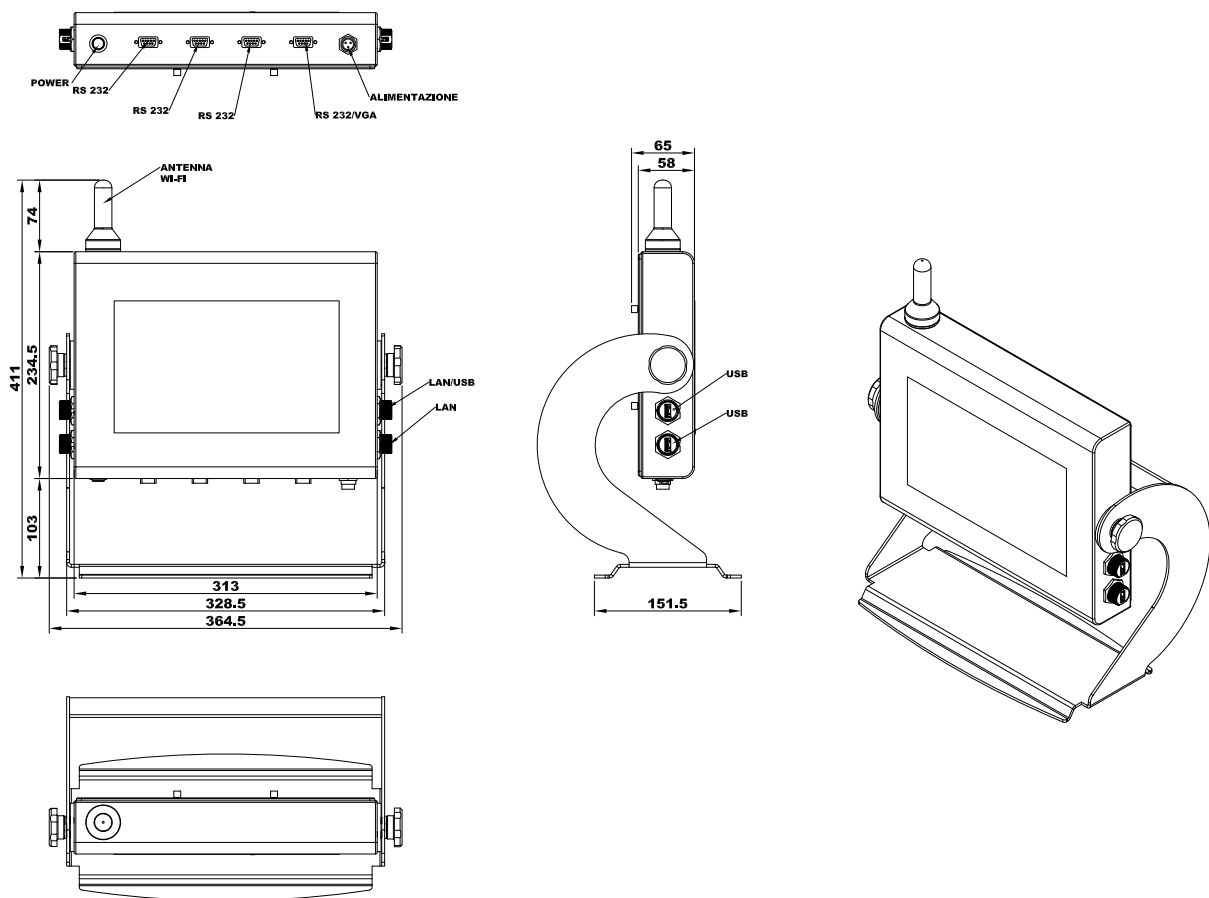




TAURUS

10.1" PANEL PC AND MONITOR IP67 FOR INDUSTRIAL AND FOOD & BEVERAGE APPLICATIONS

DIMENSIONS: IP67 Desk Pc version



NOTES: These are simplified drawings because some components are not detailed, for more information contact the manufacturer.

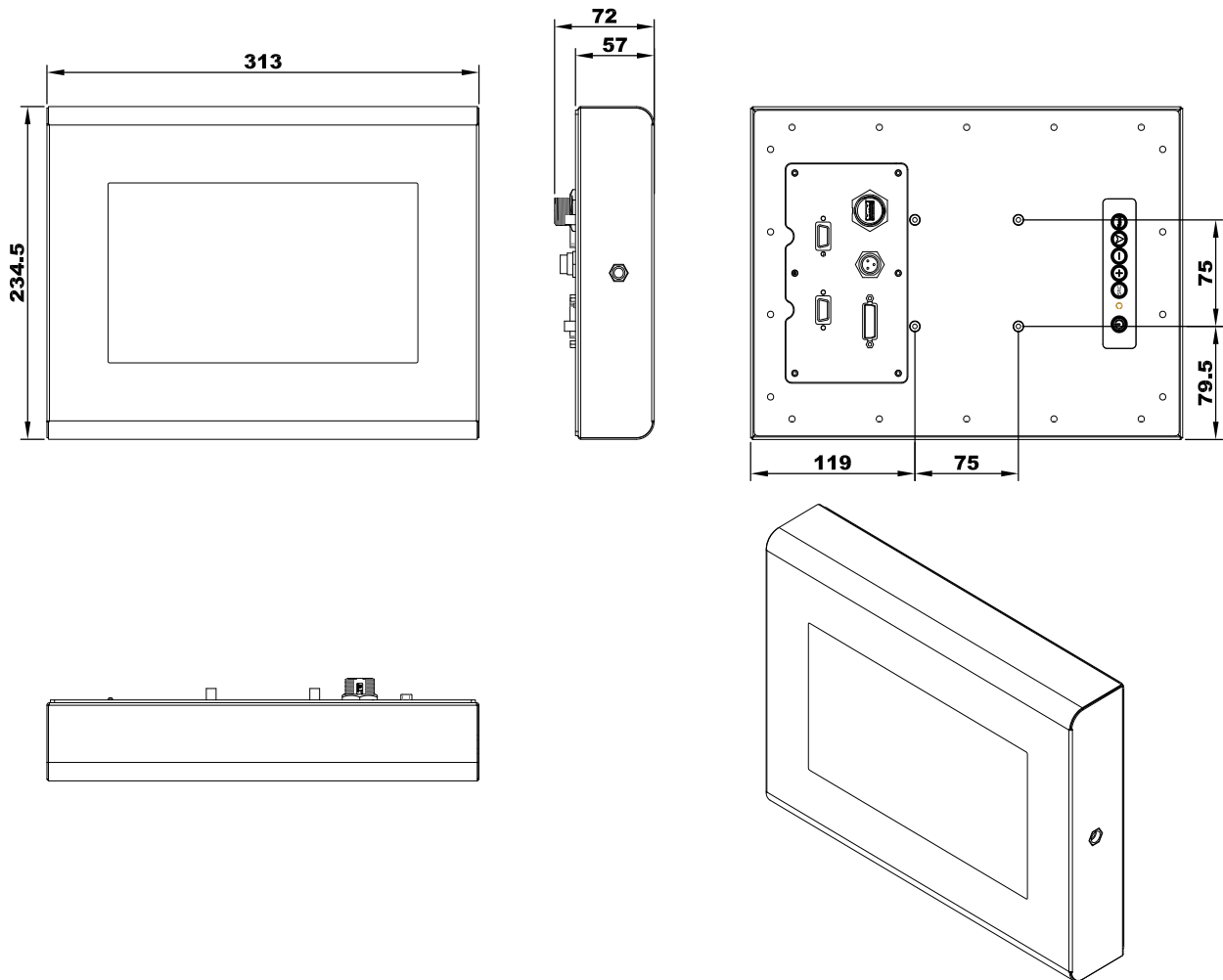




TAURUS

10.1" PANEL PC AND MONITOR IP67 FOR INDUSTRIAL AND FOOD & BEVERAGE APPLICATIONS

DIMENSIONS: IP67 Vesa Monitor version



NOTES: These are simplified drawings because some components are not detailed, for more information contact the manufacturer.

