

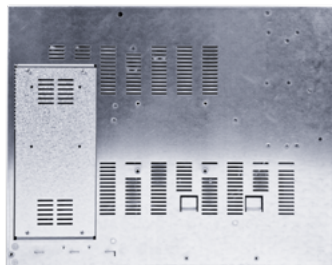


LIZARD

19" PANEL PC AND MONITOR FRONT IP67 FOR INDUSTRIAL AND FOOD & BEVERAGE APPLICATIONS

FEATURES:

- » DISPLAY 19"
- » TOUCH SCREEN PCT
- » STAINLESS STEEL FRONT PLATE
- » IP67 WATERPROOF AND DUSTPROOF
- » USB 2.0 / 3.0 FRONTAL (OPTIONAL)
- » CUSTOM FRONT INTERFACES
- » EXTENDED TEMPERATURE KIT (-20° +60°)
- » UPS (OPTIONAL)



CUSTOM CONFIGURATION

The Lizard Line is created with the hardware platform configured on the actual need of the customer. The customization provides the possibility to modulate the type of CPU, RAM memory, the size of the SSD supports, the input / output connections and the type of power supply. The Iris Display HMIs are equipped with a highly sensitive 5-wire Resistive or Capacitive Touch-Screen (Multitouch). The new Lizard line offers numerous possibilities for configuring the optional front interfaces, with high quality modules and with an IP67 degree of protection.

SUNLIGHT READABLE

The screen is legible even when exposed to intense sunlight, thanks to its high brightness 1000 nits panel with anti-reflective technology.

IP67 FRONT PROTECTION.

IP67 rated liquid / dust proof front plate hardware.





LIZARD

19" PANEL PC AND MONITOR FRONT IP67 FOR INDUSTRIAL AND FOOD & BEVERAGE APPLICATIONS

TECHNICAL DATA:

	Monitor Version	Panel Pc Version		
Display	19", TFT-LCD LED Resolution 1280 x 1024 Typical Brightness 350 cd/m ²			
System				
• CPU	—	J1900	J4125	i5 6360U
• Chipset	—	Integrated	Integrated	Integrated
• Memory	—	DDR 3 max 8GB	DDR 4 max 8GB	DDR 3 max 16GB
• BIOS	—	A.M.T. Bios	A.M.T. Bios	A.M.T. Bios
• Storage	—	128GB - 256GB - 512GB SSD / MSata	128GB - 256GB - 512GB SSD / MSata	128GB - 256GB - 512GB SSD / MSata
Connections I/O				
	1x VGA 1x DVI	2 x RTL8111H Gigabit LAN wake on LAN/ PXE function 1 x USB3.0 3 x USB2.0	2 x RTL8111H Gigabit LAN wake on LAN/ PXE function 1 x USB3.0 3 x USB2.0	2x RTL WGI211AT GigabitLAN wake on LAN/ PXE function 2 x USB3.0 2 x USB2.0
	1x VGA 1x D-POR T 1X HDMI	3 x RS232 1 x RS422-485 (Optional)	3 x RS232 1 x RS422-485 (Optional)	2 x RS232 (Max) 1 x RS422-485 (Optional)
	1X USB (Touch) 1XRS232 (Touch)	1 x VGA 1 x HDMI 1 x AUDIO 1 x LPT (Optional) Wifi	1 x VGA 1 x HDMI 1 x AUDIO 1 x LPT (Optional) Wifi	1 x VGA 1 x HDMI 1 x AUDIO 1 x LPT (Optional) Wifi
Expansions	—	1 x Mini PCI-E (Internal) 1 x Mini PCI-M-SATA (internal)	1 x Mini PCI-E (Internal) 1 x Mini PCI-M-SATA (internal)	1 x Mini PCI-E (Internal) 1 x Mini PCI-M-SATA (internal)
Touchscreen	CAPACITIVE			
Power Supply	12VDC (standard) / 24VDC (Optional) / External power supply AC 100~240 VAC (Standard)			
Work Environment				
• Temperature environment	Operation Storage	from 0 to +50° C from -20 to +60° C		
• Range operating extended		from -20 to +60° C (Optional)		
• Relative humidity	Operation Storage	10% ~ 95% @ 40° C, non-condensing 5% ~ 95%		
• Vibration	Operation Storage	2 - 9 Hz: amplitude 3 mm / 9 - 200 Hz: 1G 2 - 8 Hz: amplitude 7,5 mm / 8 - 200 Hz: 2G / 200 - 500 Hz: 4G		
IP Protection	Front IP67			
Certification	CE, ROHS			
Operating system	Windows® 7 PRO / Windows® 7 WEC / Windows® 10 IOT (LTSB - LTSC - SAC) / Windows® 11 IOT Enterprise (CBB) / Linux			

NOTES: Any updates may cause revisions to this datasheet, the manufacturer reserves the right to modify it in whole or in part.

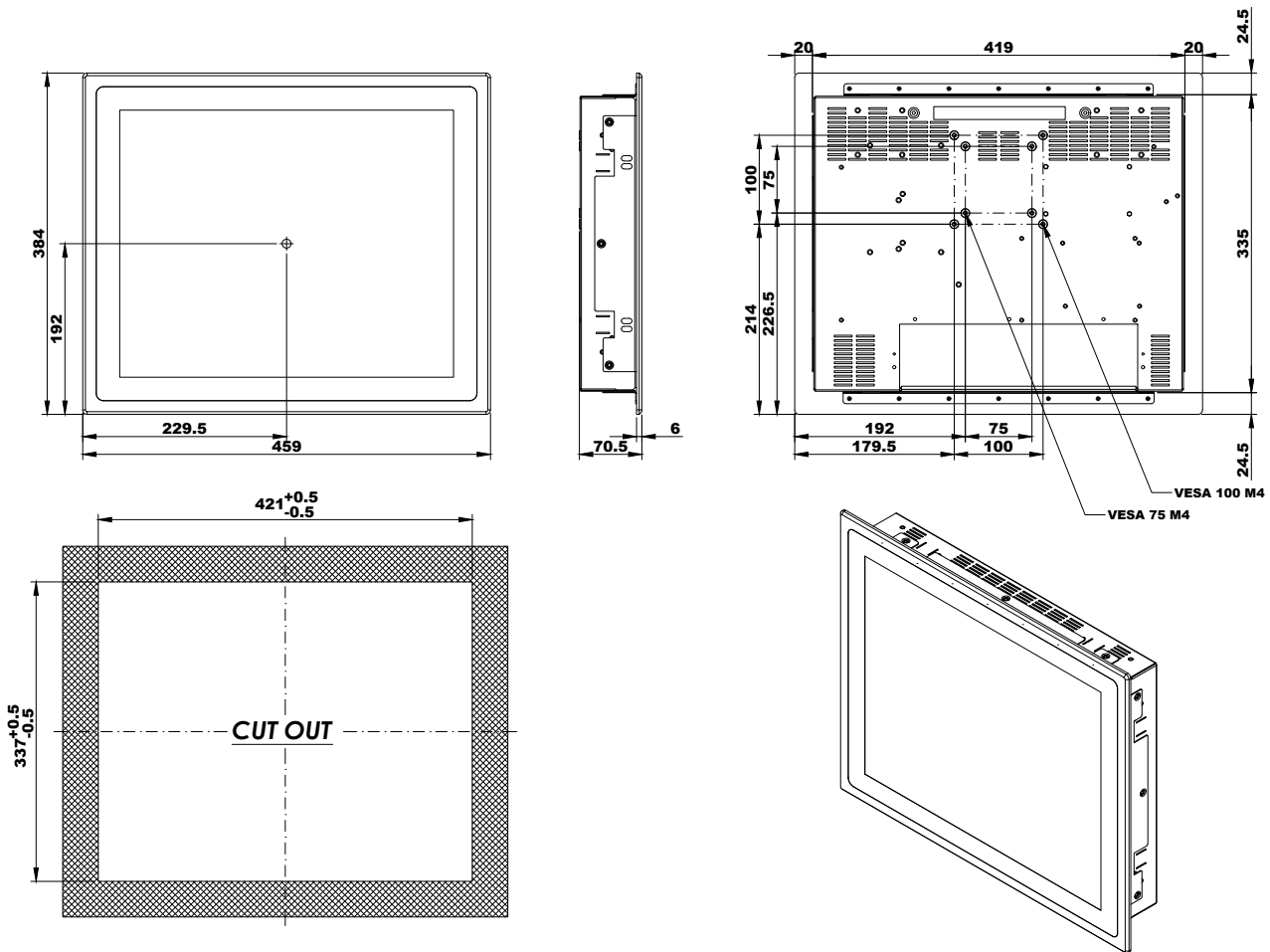




LIZARD

19" PANEL PC AND MONITOR FRONT IP67 FOR INDUSTRIAL AND FOOD & BEVERAGE APPLICATIONS

DIMENSIONS: Monitor version



NOTES: These are simplified drawings because some components are not detailed, for more information contact the manufacturer.

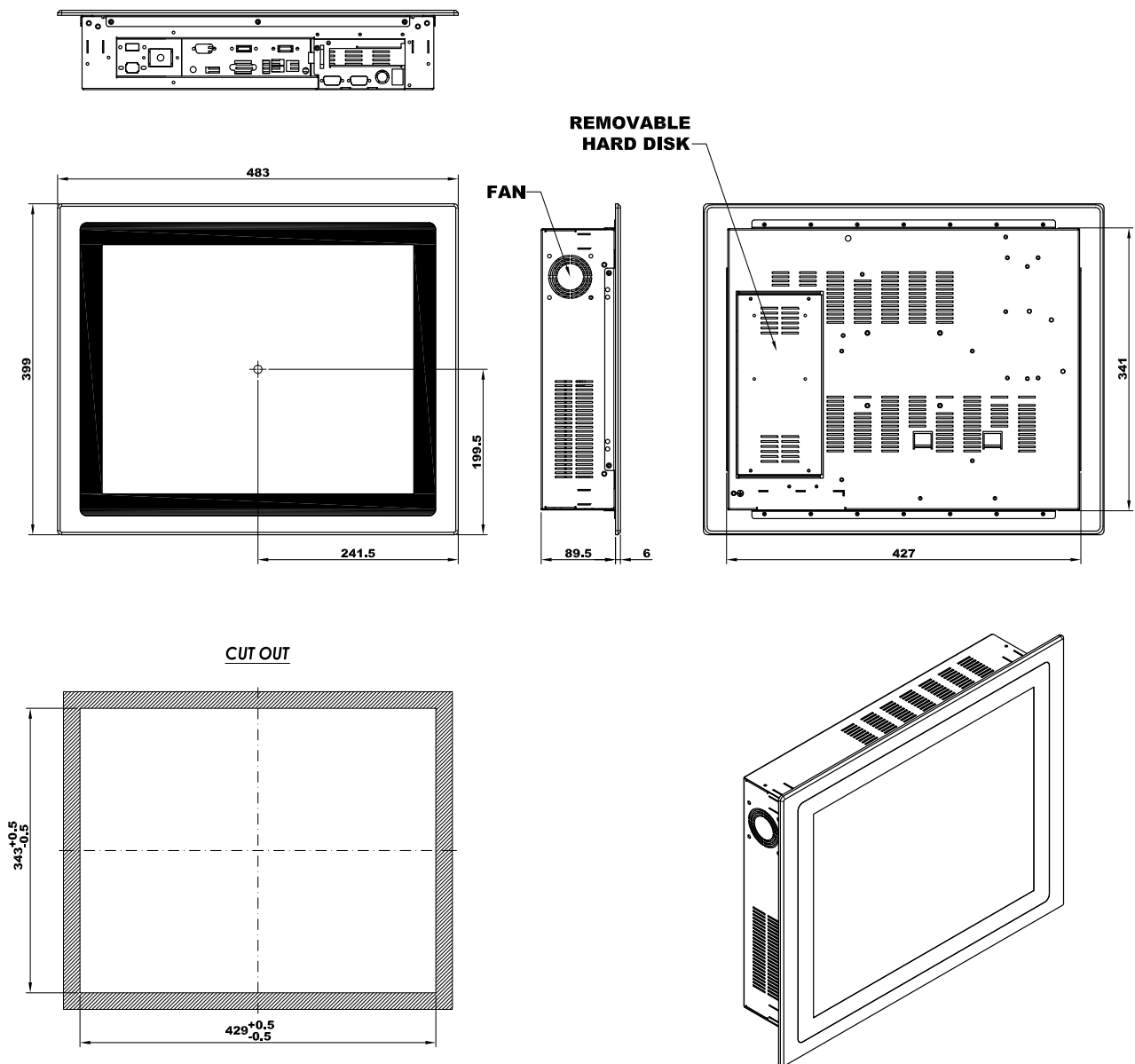




LIZARD

19" PANEL PC AND MONITOR FRONT IP67 FOR INDUSTRIAL AND FOOD & BEVERAGE APPLICATIONS

DIMENSIONS: Pc version



NOTES: These are simplified drawings because some components are not detailed, for more information contact the manufacturer.

