



LIZARD

# 10.4" PANEL PC AND MONITOR FRONT IP67 FOR INDUSTRIAL AND FOOD & BEVERAGE APPLICATIONS

## FEATURES:

- » DISPLAY 10.4"
- » TOUCH SCREEN RESISTIVE - PCT
- » STAINLESS STEEL FRONT PLATE
- » IP67 WATERPROOF AND DUSTPROOF
- » USB 2.0 / 3.0 FRONTAL (OPTIONAL)
- » CUSTOM FRONT INTERFACES
- » EXTENDED TEMPERATURE KIT (-20° +60°)



## CUSTOM CONFIGURATION

The Lizard Line is created with the hardware platform configured on the actual need of the customer. The customization provides the possibility to modulate the type of CPU, RAM memory, the size of the SSD supports, the input / output connections and the type of power supply. The Iris Display HMIs are equipped with a highly sensitive 5-wire Resistive or Capacitive Touch-Screen (Multitouch). The new Lizard line offers numerous possibilities for configuring the optional front interfaces, with high quality modules and with an IP67 degree of protection.

## SUNLIGHT READABLE

The screen is legible even when exposed to intense sunlight, thanks to its high brightness 1000 nits panel with anti-reflective technology.

## IP67 FRONT PROTECTION.

IP67 rated liquid / dust proof front plate hardware.





LIZARD

# 10.4" PANEL PC AND MONITOR FRONT IP67 FOR INDUSTRIAL AND FOOD & BEVERAGE APPLICATIONS

## TECHNICAL DATA:

	Monitor Version	Panel Pc Version		
<b>Display</b>	10,4", TFT-LCD LED Resolution 800 x 600 (1024 x 768 Optional) Typical Brightness 300 cd/m <sup>2</sup>			
<b>System</b>				
• CPU	—	J1900	J4125	i5 6360U
• Chipset	—	Integrated	Integrated	Integrated
• Memory	—	DDR 3 max 8GB	DDR 4 max 8GB	DDR 3 max 16GB
• BIOS	—	A.M.T. Bios	A.M.T. Bios	A.M.T. Bios
• Storage	—	128GB - 256GB - 512GB SSD / MSata	128GB - 256GB - 512GB SSD / MSata	128GB - 256GB - 512GB SSD / MSata
<b>Connections I/O</b>				
	1x VGA 1x DVI	2 x RTL8111H Gigabit LAN wake on LAN/ PXE function 1 x USB3.0 3 x USB2.0	2 x RTL8111H Gigabit LAN wake on LAN/ PXE function 1 x USB3.0 3 x USB2.0	2x RTL WGI211AT GigabitLAN wake on LAN/ PXE function 2 x USB3.0 2 x USB2.0
	1x VGA 1x D-POR 1X HDMI	3 x RS232 1 x RS422-485 (Optional)	3 x RS232 1 x RS422-485 (Optional)	2 x RS232 (Max) 1 x RS422-485 (Optional)
	1X USB (Touch) 1XRS232 (Touch)	1 x VGA 1 x HDMI 1 x AUDIO 1 x LPT (Optional) Wifi	1 x VGA 1 x HDMI 1 x AUDIO 1 x LPT (Optional) Wifi	1 x VGA 1 x HDMI 1 x AUDIO 1 x LPT (Optional) Wifi
<b>Expansions</b>	—	1 x Mini PCI-E (Internal) 1 x Mini PCI-M-SATA (internal)	1 x Mini PCI-E (Internal) 1 x Mini PCI-M-SATA (internal)	1 x Mini PCI-E (Internal) 1 x Mini PCI-M-SATA (internal)
<b>Touchscreen</b>	RESISTIVE - CAPACITIVE			
<b>Power Supply</b>	12VDC (standard) / 24VDC (Optional) / External power supply AC 100~240 VAC (Standard)			
<b>Work Environment</b>				
• Temperature environment	Operation Storage	from 0 to +50° C from -20 to +60° C		
• Range operating extended		from -20 to +60° C (Optional)		
• Relative humidity	Operation Storage	10% ~ 95% @ 40° C, non-condensing 5% ~ 95%		
• Vibration	Operation Storage	2 - 9 Hz: amplitude 3 mm / 9 - 200 Hz: 1G 2 - 8 Hz: amplitude 7,5 mm / 8 - 200 Hz: 2G / 200 - 500 Hz: 4G		
<b>IP Protection</b>	Front IP67			
<b>Certification</b>	CE, ROHS			
<b>Operating system</b>	Windows® 7 PRO / Windows® 7 WEC / Windows® 10 IOT (LTSB - LTSC - SAC) / Windows® 11 IOT Enterprise (CBB) / Linux			

**NOTES:** Any updates may cause revisions to this datasheet, the manufacturer reserves the right to modify it in whole or in part.

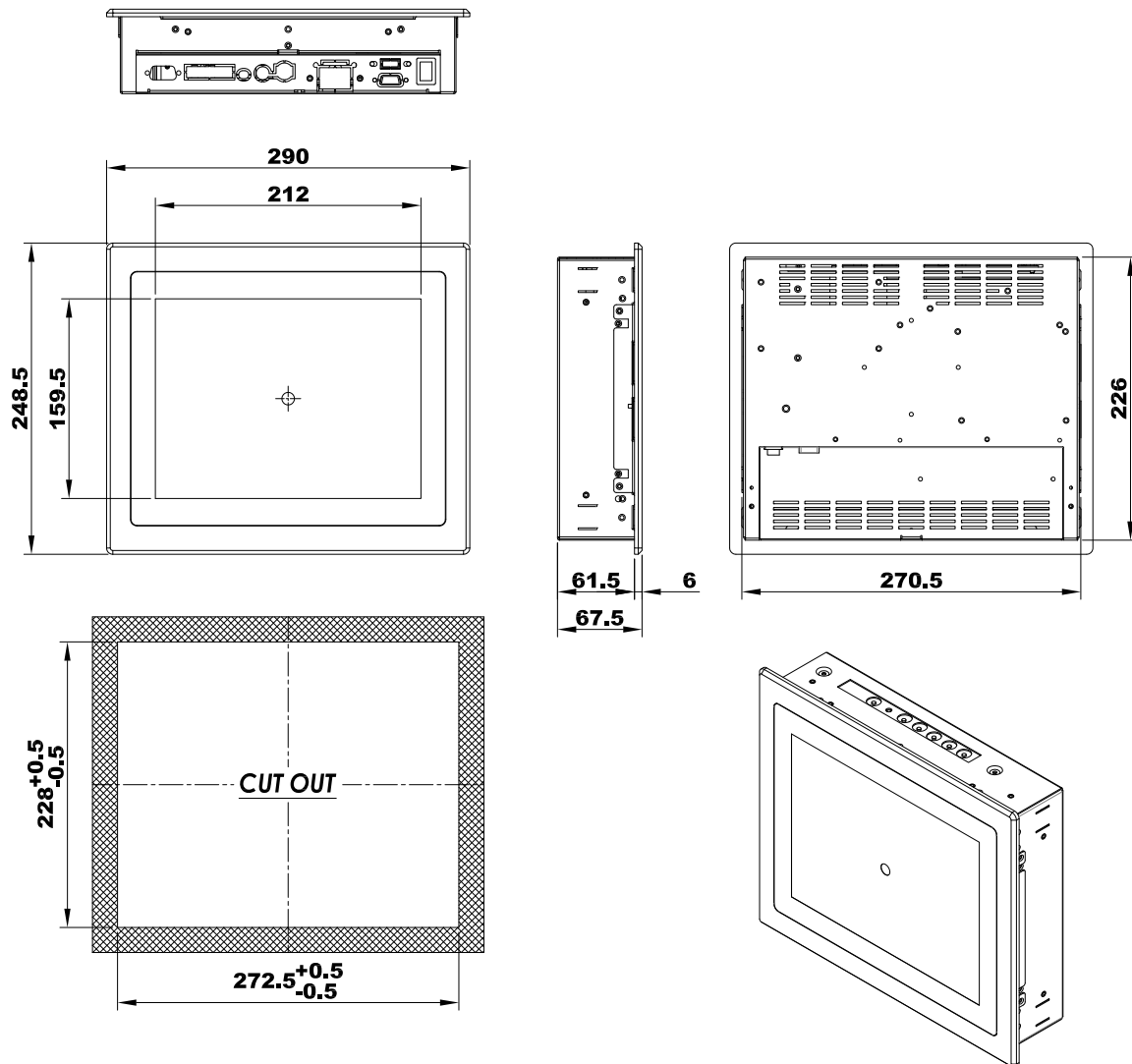




LIZARD

# 10.4" PANEL PC AND MONITOR FRONT IP67 FOR INDUSTRIAL AND FOOD & BEVERAGE APPLICATIONS

## DIMENSIONS: Monitor version



**NOTES:** These are simplified drawings because some components are not detailed, for more information contact the manufacturer.

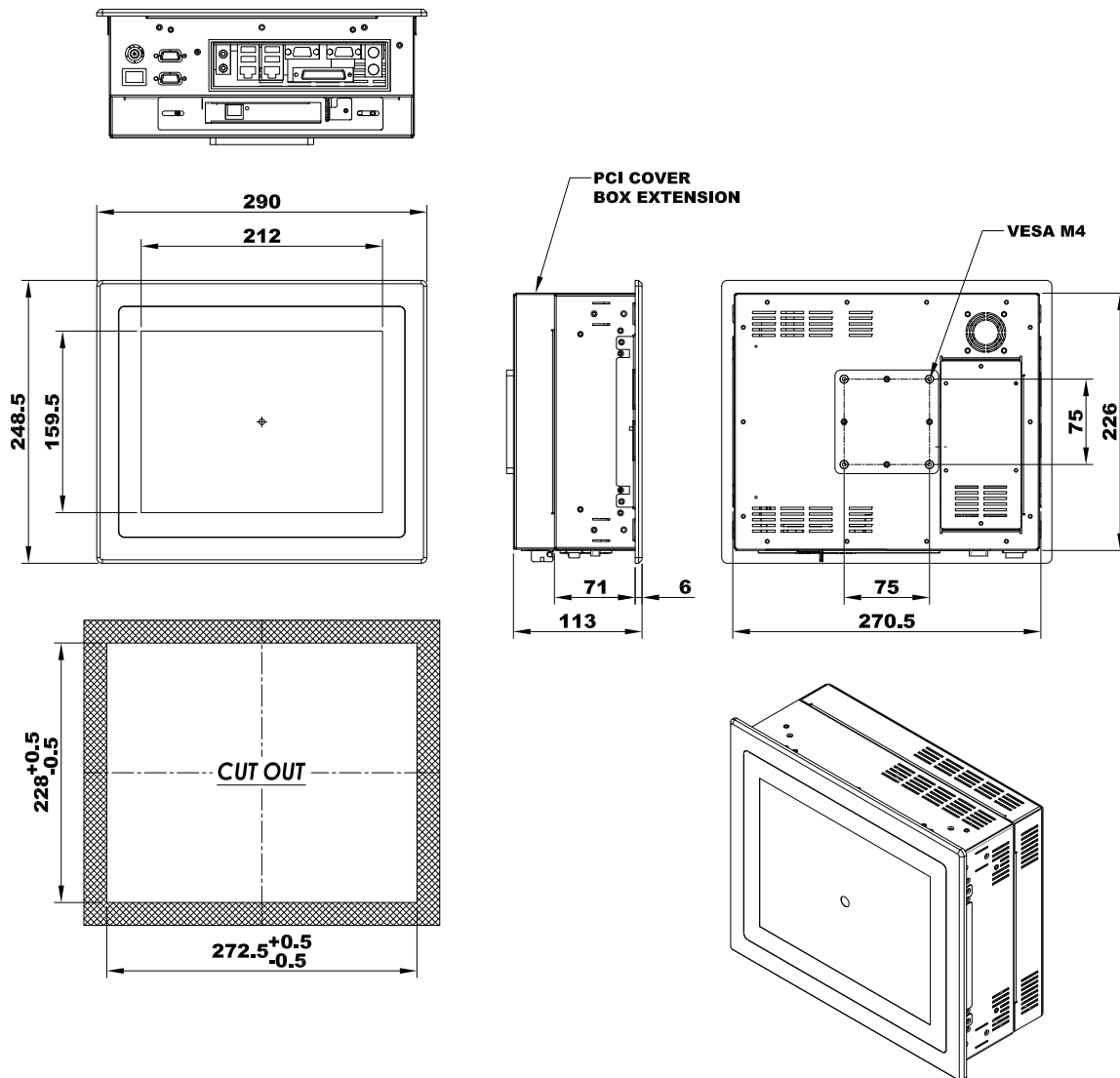




LIZARD

# 10.4" PANEL PC AND MONITOR FRONT IP67 FOR INDUSTRIAL AND FOOD & BEVERAGE APPLICATIONS

## DIMENSIONS: Pc version



NOTES: These are simplified drawings because some components are not detailed, for more information contact the manufacturer.

