



ID PC BOX

PC BOX LARGE

FEATURES:

- » FANLESS DESIGN
- » COMPACT
- » WIFI, BLUETOOTH, 3G
- » HDMI
- » CUSTOMIZABLE CPU AND RAM



ID.PC BOX

ID.PC BOX is a PC box with a compact design whose cooling takes place without the use of fans. The high level of experience of our technicians and the use of the latest generation components ensure a high level of reliability and maximum performance.





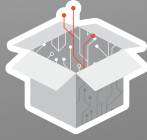
IDPCBOX
PC BOX
LARGE

TECHNICAL DATA:

	Box Pc		
System			
• CPU	J1900	J4125	i5 7200U
• Chipset	Integrated	Integrated	Integrated
• Memory	DDR 3 max 8GB	DDR 4 max 8GB	DDR4 max 12GB
• BIOS	A.M.T. Bios	A.M.T. Bios	A.M.T. Bios
• Storage	128GB - 256GB - 512GB SSD / MSata	128GB - 256GB - 512GB SSD / MSata	128GB - 256GB - 512GB SSD / MSata
Connections I/O			
	2 x RTL8111H Gigabit LAN wake on LAN/ PXE function 1 x USB3.0 3 x USB2.0 5 x RS232 1 x RS422-485 (Optional) 1 x VGA 1 x HDMI 1 x AUDIO 1 x LPT (Optional) Wifi	2 x RTL8111H Gigabit LAN wake on LAN/ PXE function 1 x USB3.0 3 x USB2.0 5 x RS232 1 x RS422-485 (Optional) 1 x VGA 1 x HDMI 1 x AUDIO 1 x LPT (Optional) Wifi	1 x Intel I219V Gigabit LAN; 1 x Intel I211AT Gigabit LAN; 2 x USB3.0 2 x USB2.0 5 x RS232 1 x RS422-485 (Opt.) 1 x VGA 1 x HDMI 1 x AUDIO 1 x LPT (Optional) Wifi
Expansions	1 x Mini PCI-E (Internal)	1 x Mini PCI-E (Internal)	1 x Mini PCI-E (Internal)
Power Supply	12VDC (standard) / 24VDC (Optional) / External power supply AC 100~240 VAC (Standard)		
Work Environment			
• Temperature environment	from 0 to +50° C from -20 to +60° C		
• Range operating extended	from -20 to +60° C (Optional)		
• Relative humidity	10% ~ 95% @ 40° C, non-condensing 5% ~ 95%		
• Vibration	2 - 9 Hz: amplitude 3 mm / 9 - 200 Hz: 1G 2 - 8 Hz: amplitude 7,5 mm / 8 - 200 Hz: 2G / 200 - 500 Hz: 4G		
Operating system	Windows® 7 PRO / Windows® 7 WEC / Windows® 10 IOT (LTSB - LTSC - SAC) / Windows® 11 IOT Enterprise (CBB) / Linux		

NOTES: Any updates may cause revisions to this datasheet, the manufacturer reserves the right to modify it in whole or in part.

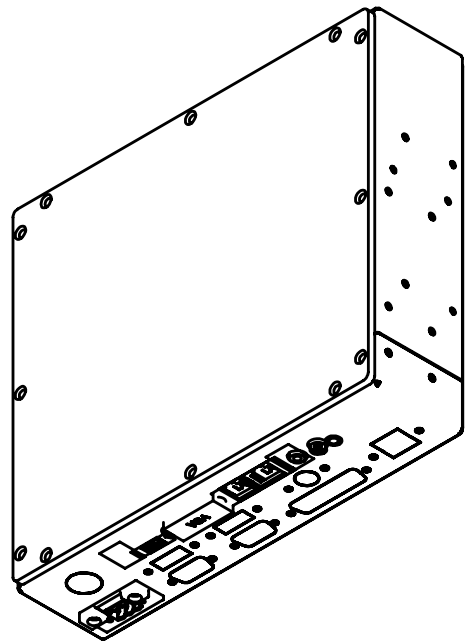
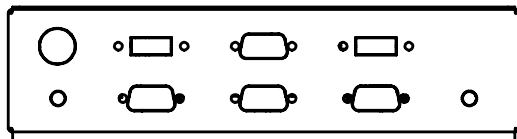
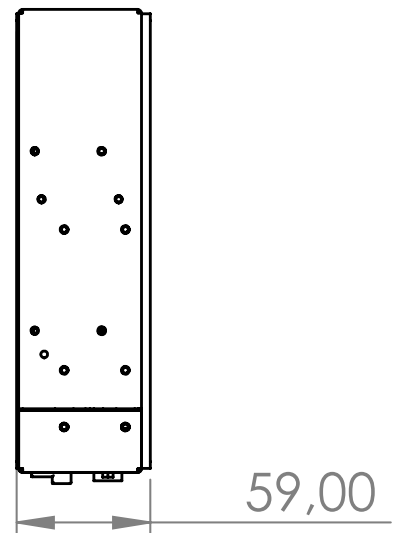
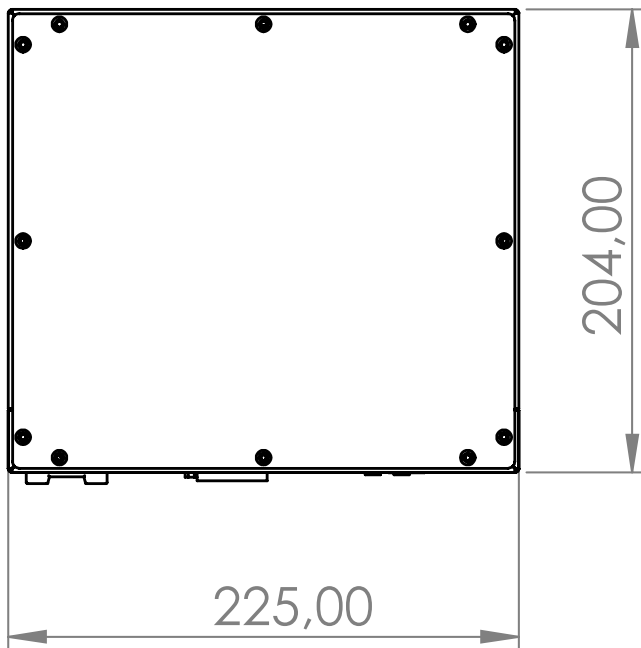




ID PC BOX

PC BOX LARGE

DIMENSIONS:



NOTES: These are simplified drawings because some components are not detailed, for more information contact the manufacturer.

