



LIZARD

# DESK SUPPORTS

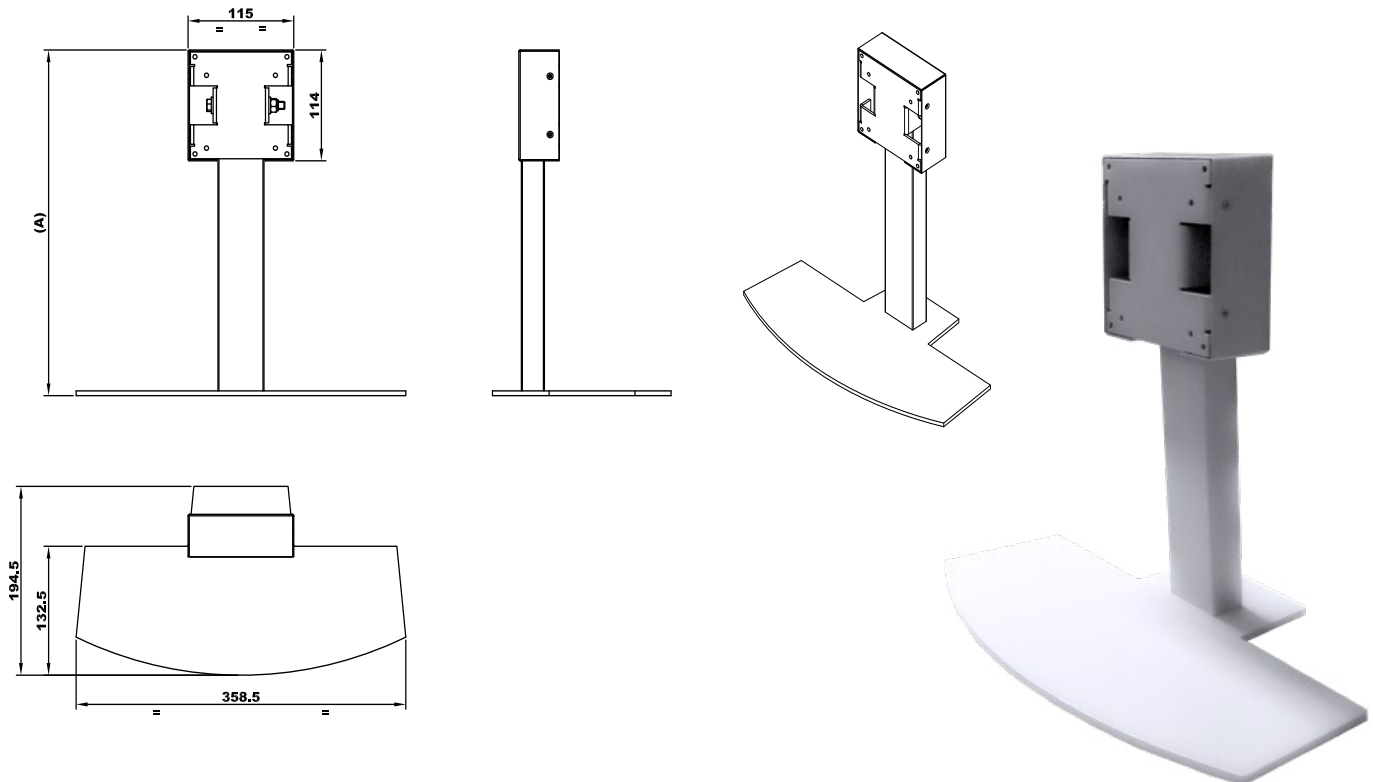
## FEATURES:

- » ROTATION 120 °
- » PAINTED STEEL



Desk supports for 15"; 17"; 19"

## DIMENSIONS:



**NOTES:** These are simplified drawings because some components are not detailed, for more information contact the manufacturer.

## MATERIALS AND COLORS

The supports of the lizard line are made of painted steel, they rotate 120 °, and are available in RAL9005 and RAL7035.



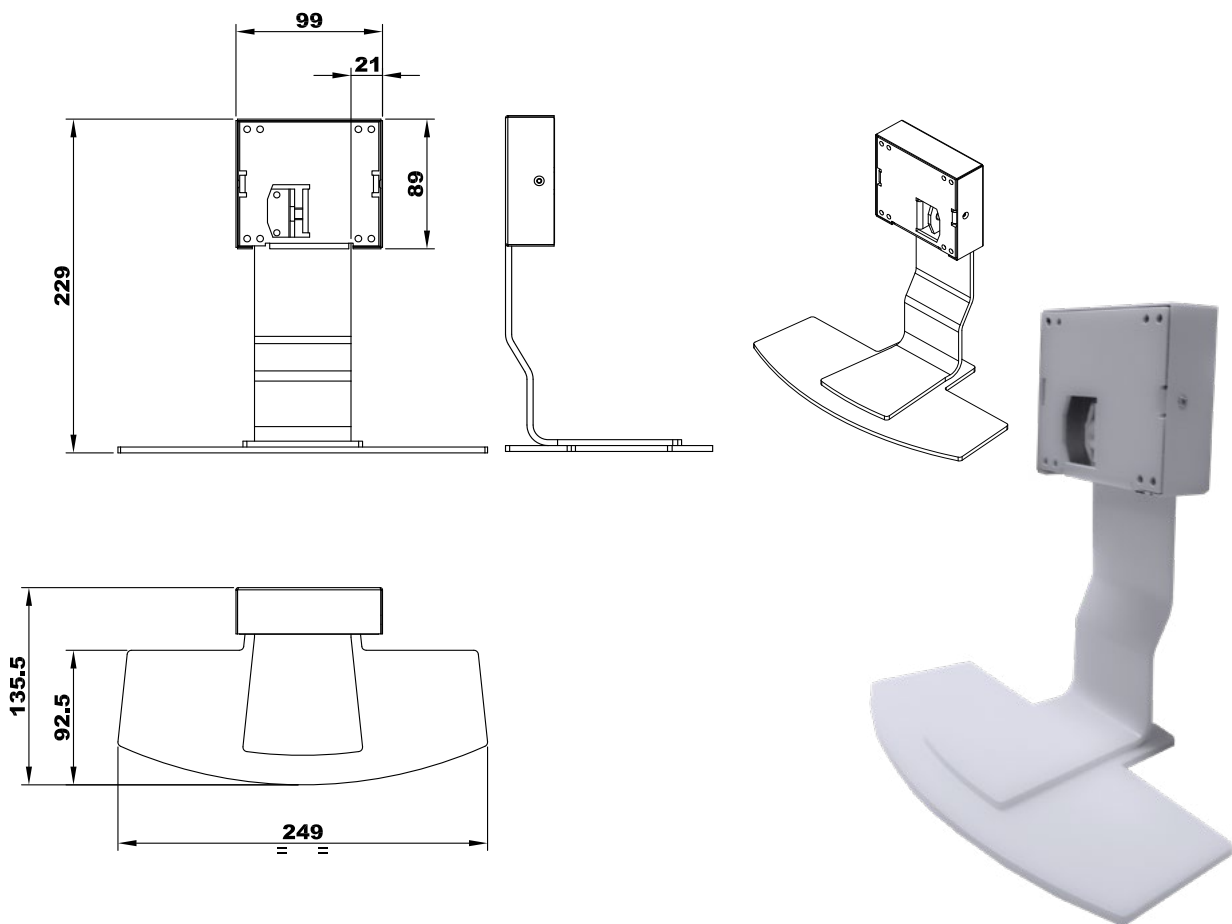


LIZARD

# DESK SUPPORTS

Desk supports for 12"

**DIMENSIONS:**



**NOTES:** These are simplified drawings because some components are not detailed, for more information contact the manufacturer.

