



TAURUS

TABLE SUPPORTS

ACCESSORY SUPPORTS FOR MONITOR AND PPC INOX

FEATURES:

- » IN AISI304 OR AISI316 STAINLESS STEEL
- » SUITABLE FOR MONITOR AND PANEL PC



10.1" SUPPORT



15"; 17"; 19" SUPPORT



24" SUPPORT

MATERIAL

The Taurus wall supports are designed and engineered to withstand any type of use, the supports can be of two types of stainless steel (AISI304 or AISI316).





TAURUS

TABLE SUPPORTS

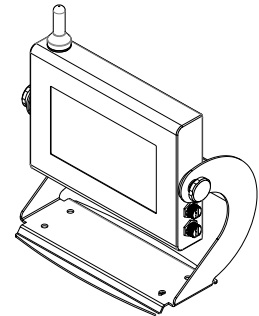
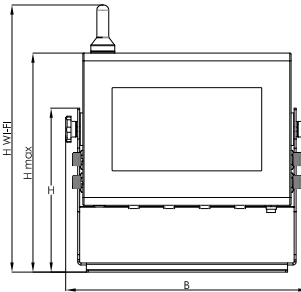
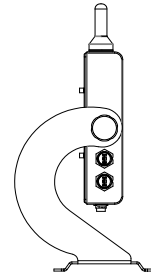
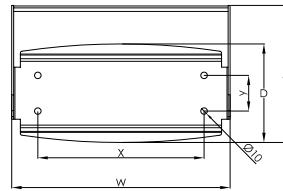
ACCESSORY SUPPORTS FOR MONITOR AND PPC INOX

DIMENSIONS: 10.1"

DIMENSIONS

INCH	10.1"
W	328.50
D	151.69
H	252.36
B	364.50
A	210.84
H MAX	337.12
H WI-FI	411.12
X	250
Y	55

Weight 3.5 Kg

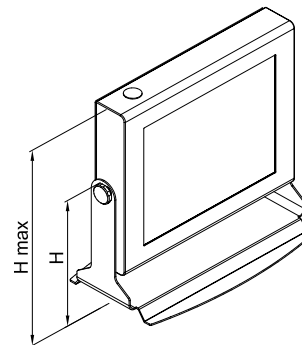
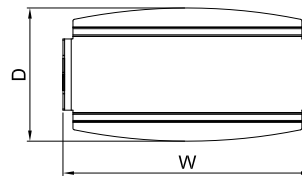


DIMENSIONS: 15"; 17"; 19"

DIMENSIONS

INCH	15"	17"	19"
W	418.5	452.3	545.11
D	228	251	289
H	269	291	312
H max	405	449	482

Weight 1.8Kg 2.2Kg 4.5Kg



NOTES: These are simplified drawings because some components are not detailed, for more information contact the manufacturer.





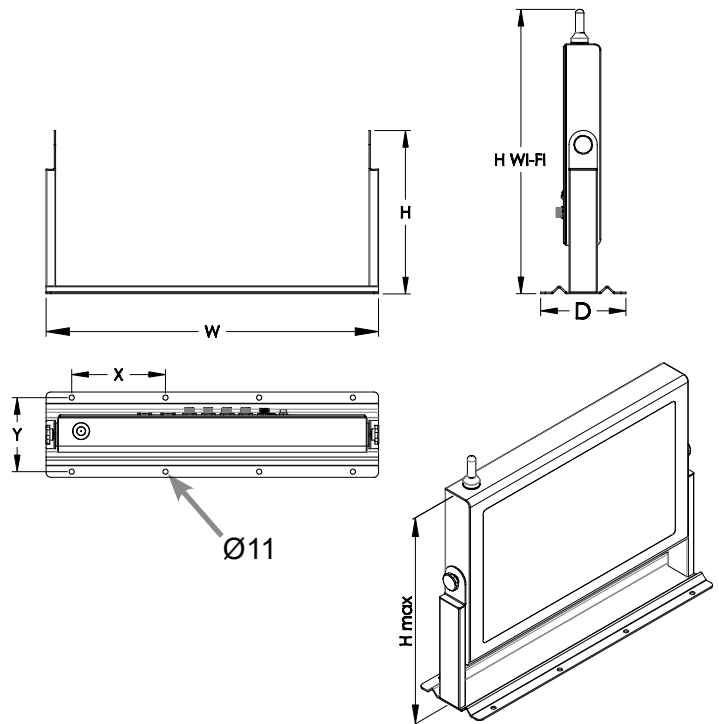
TAURUS

TABLE SUPPORTS

ACCESSORY SUPPORTS FOR MONITOR AND PPC INOX

DIMENSIONS: 24"

DIMENSIONS	
INCH	24"
W	709.40
D	182
H	348
H max	532.65
H wi fi	606.64
X	200
Y	158
Weight	5.8Kg



NOTES: These are simplified drawings because some components are not detailed, for more information contact the manufacturer.

