



TAURUS

## CEILING-DESK SUPPORTS

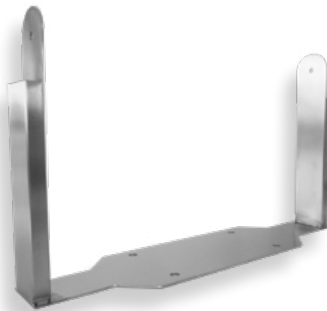
ACCESSORY SUPPORTS FOR MONITOR AND PPC INOX

### FEATURES:

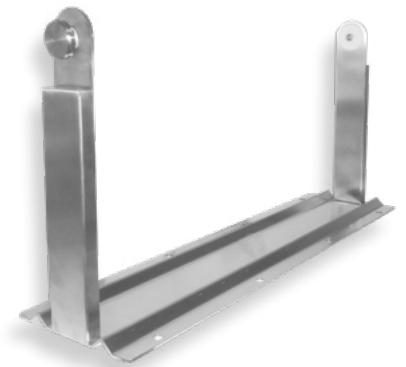
- » IN AISI304 OR AISI316 STAINLESS STEEL
- » SUITABLE FOR MONITOR AND PANEL PC



15"; 17" SUPPORT



19" SUPPORT



24" SUPPORT

### MATERIAL

The Taurus wall supports are designed and engineered to withstand any type of use, the supports can be of two types of stainless steel (AISI304 or AISI316).





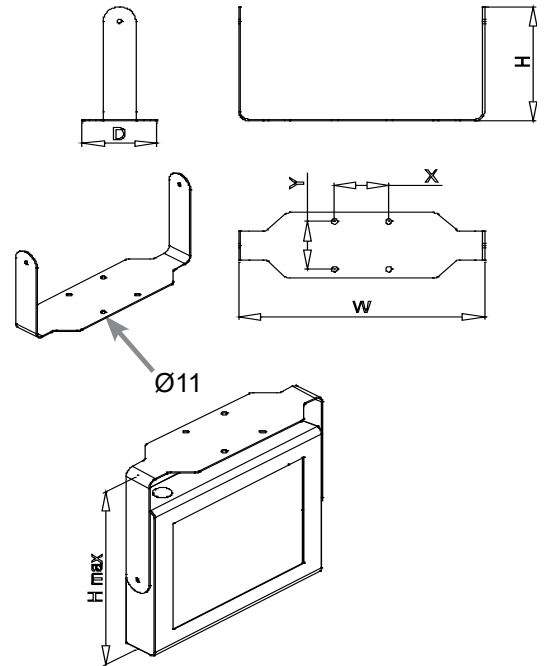
TAURUS

# CEILING-DESK SUPPORTS

ACCESSORY SUPPORTS FOR MONITOR AND PPC INOX

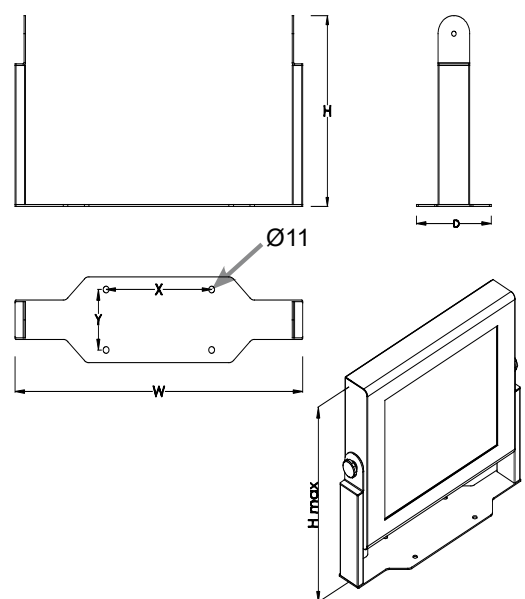
## DIMENSIONS: 15"; 17"

DIMENSIONS		
INCH	15"	17"
W	418.5	452.3
D	120	137
H	266	297.6
H max	410	452
X	100	100
Y	100	100
Weight	1.8 Kg	2.2 Kg



## DIMENSIONS: 19"

19"	
INCH	19"
W	545.20
D	142
H	315.75
H max	488.5
X	100
Y	100
Weight	2.8 Kg



NOTES: These are simplified drawings because some components are not detailed, for more information contact the manufacturer.





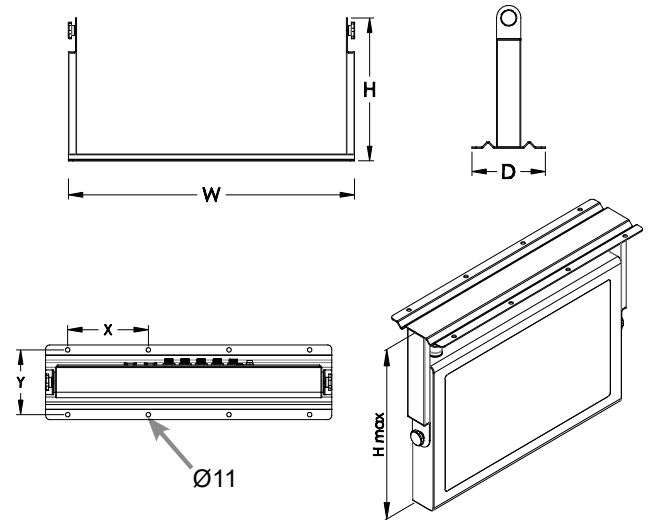
TAURUS

# CEILING-DESK SUPPORTS

## ACCESSORY SUPPORTS FOR MONITOR AND PPC INOX

### DIMENSIONS: 24"

	24"
INCH	24"
W	709.40
D	182
H	348
H max	532.65
X	100
Y	150
Weight	5.8 Kg



**NOTES:** These are simplified drawings because some components are not detailed, for more information contact the manufacturer.

