



TAURUS

# KEYBOARD HOLDER SUPPORT

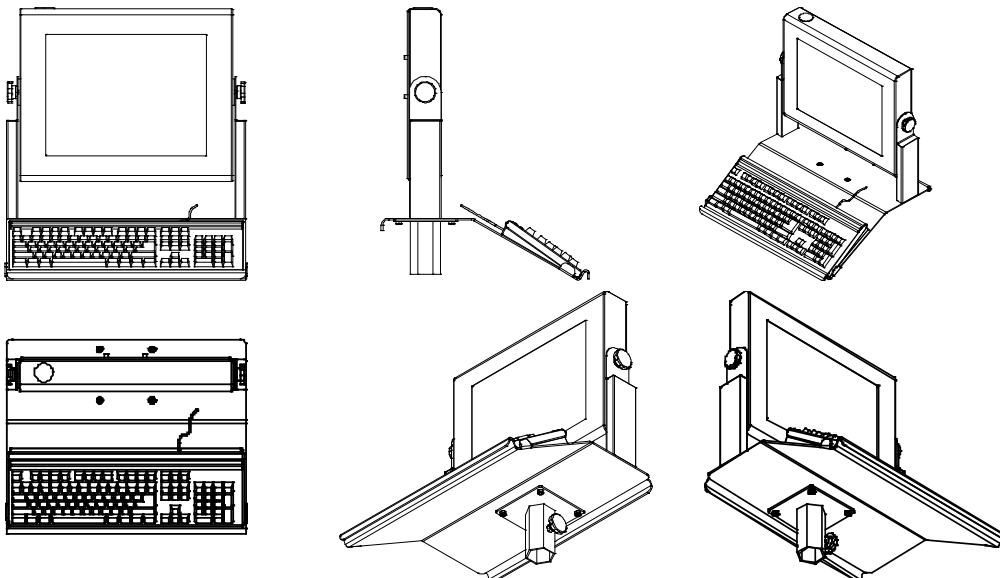
## ACCESSORY SUPPORTS FOR MONITOR AND PPC INOX

### FEATURES:

- » IN AISI304 OR AISI316 STAINLESS STEEL
- » SUITABLE FOR MONITOR AND PANEL PC



### KEYBOARD SUPPORT ASSEMBLY



### MATERIAL

The Taurus wall supports are designed and engineered to withstand any type of use, the supports can be of two types of stainless steel (AISI304 or AISI316).





TAURUS

# KEYBOARD HOLDER SUPPORT

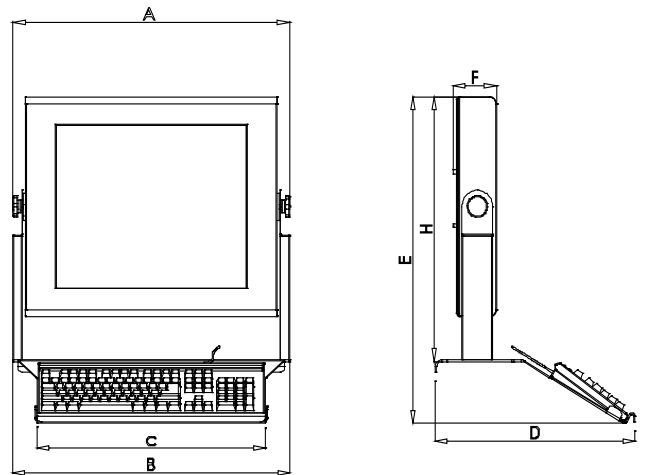
ACCESSORY SUPPORTS FOR MONITOR AND PPC INOX

## DIMENSIONS: KEYBOARD HOLDER SUPPORT 15"; 17"; 19"; 24"

KEYBOARD HOLDER SUPPORT 15"; 17"; 19"; 24"

INCH	15"	17"	19"	24"
A	450.90	484.70	543.60	707.80
B	452.50	486.30	545.20	709.40
C	452.50	450	450	500
D	392.76	392.76	392.76	392.76
E	513.03	566.23	602.43	614.89
F	70.20	84.70	85.50	79.50
H	399.10	452.30	488.50	497.75

Weight	3 Kg	3.7 Kg	4.5 Kg	5.8 Kg
--------	------	--------	--------	--------

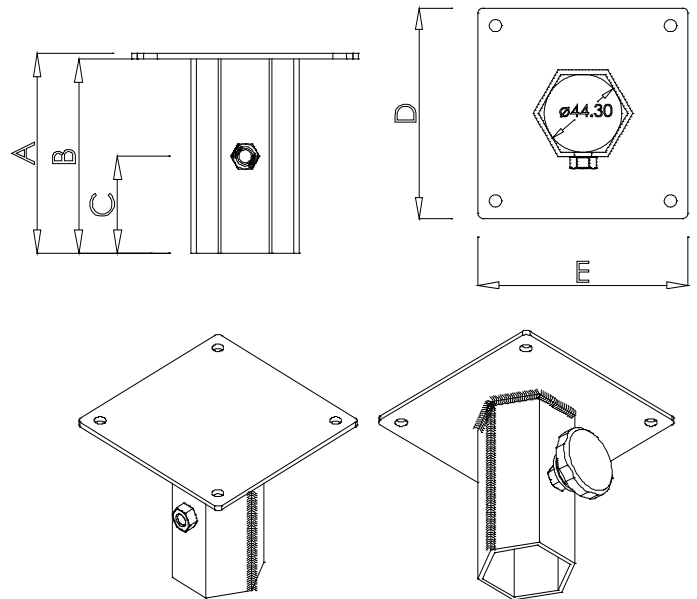


## DIMENSIONS: POLE SUPPORT

POLE SUPPORT

A	103
B	100
C	50
D	120
E	120

Weight	0.8Kg
--------	-------



NOTES: These are simplified drawings because some components are not detailed, for more information contact the manufacturer.

