



TAURUS

## WALL SUPPORTS

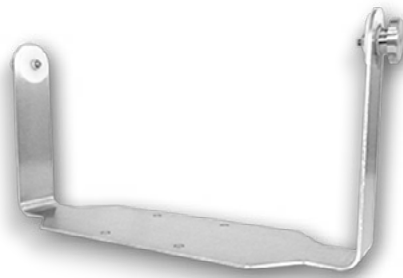
ACCESSORY SUPPORTS FOR MONITOR AND PPC INOX

### FEATURES:

- » IN AISI304 OR AISI316 STAINLESS STEEL
- » SUITABLE FOR MONITOR AND PANEL PC



10.1" SUPPORT



15"; 17"; 19" SUPPORT



24" SUPPORT

It's available  
the 17" **short version**

### MATERIAL

The Taurus wall supports are designed and engineered to withstand any type of use, the supports can be of two types of stainless steel (AISI304 or AISI316).





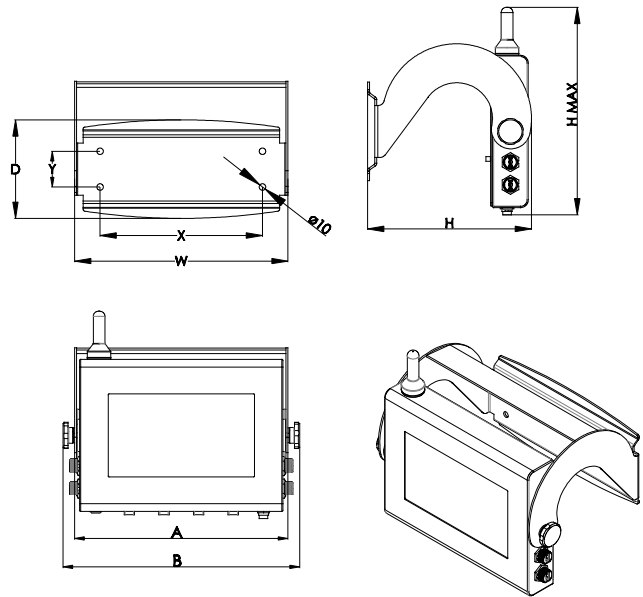
TAURUS

# WALL SUPPORTS

## ACCESSORY SUPPORTS FOR MONITOR AND PPC INOX

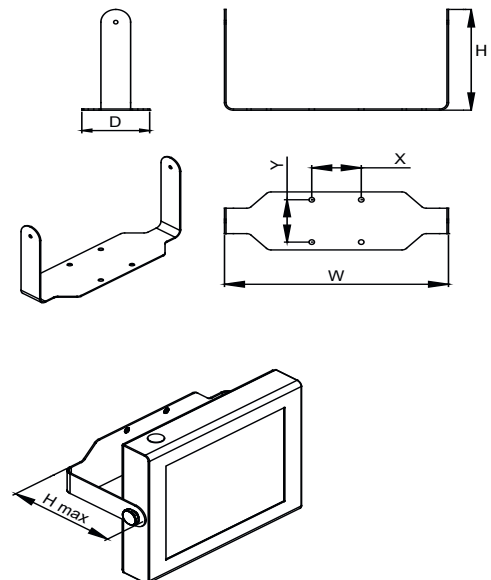
### DIMENSIONS: 10.1"

10.1"	
POLLICI	10.1"
W	328.50
D	151.69
H	252.36
H max	319.35
A	328.50
B	364.50
X	250
Y	55
Weight	3.5 Kg



### DIMENSIONS: 15"; 17"; 19"

DIMENSIONS			
INCH	15"	17"	19"
W	418.5	452.3	511.2
D	120	137	142
H	208	238	238
H max	214	245	243
X	100	100	100
Y	100	100	200
Weight	1.6 Kg	2 Kg	2.4 Kg



NOTES: These are simplified drawings because some components are not detailed, for more information contact the manufacturer.





TAURUS

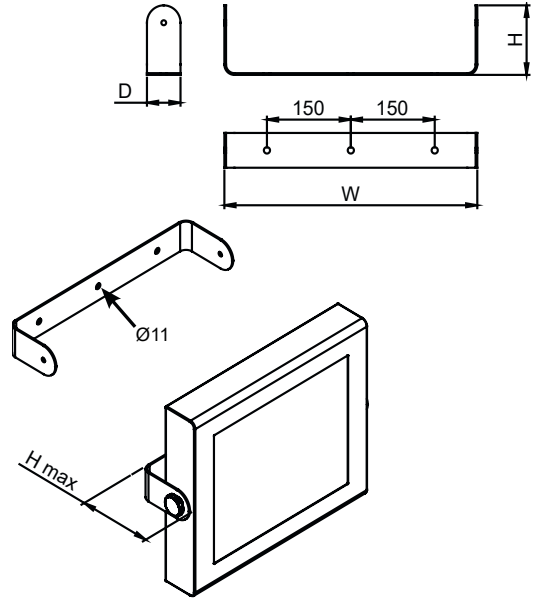
## WALL SUPPORTS

ACCESSORY SUPPORTS FOR MONITOR AND PPC INOX

### DIMENSIONS: 17"

#### 17" SHORT

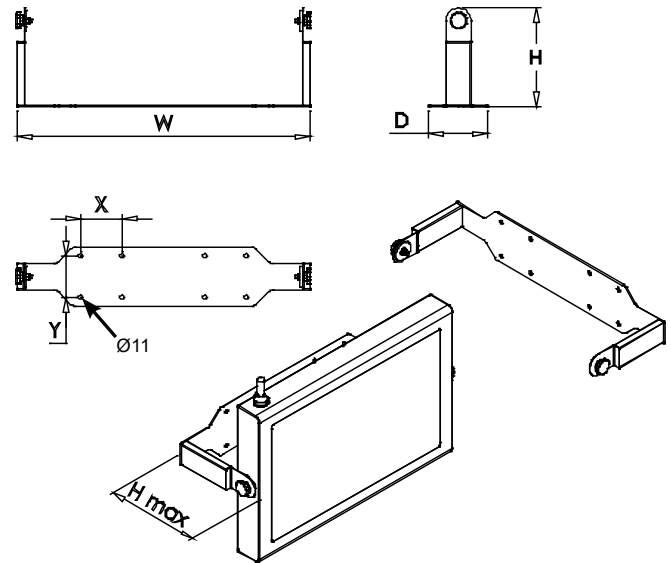
POLLICI	17" SHORT
W	452.3
D	60
H	120
H max	127
Weight	1.2 Kg



### DIMENSIONS: 24"

#### 24"

POLLICI	24"
W	709.40
D	107.16
H	237.5
H max	244.65
X	100
Y	100
Weight	5.8 Kg



NOTES: These are simplified drawings because some components are not detailed, for more information contact the manufacturer.

